



**LAUMANS**  
PREMIUM CLAY TILES SINCE 1896

**TIEFASUPRA®**

THE FUNCTIONAL, LARGE-FORMAT  
FLAT ROOF TILE





**ANTONIO MARIANO**  
Storeman

“As a storeman I am responsible for the compilation and loading of the orders onto the truck. Seeing how our roof tiles leave the factory daily for our customers gives me a good feeling, because we give people a safe home. Literally: a roof over your head!”

# FUNCTIONAL LARGE-FORMAT FOR FLAT PITCHED ROOFS – TIEFASUPRA®







The **TIEFASUPRA®** – for aesthetically demanding roofs with outstanding technical characteristics. Thanks to its many detailed improvements, such as the Laumans newly developed and patented rebasing system for unsurpassed rain tightness, a real roof tile of the future. The particularly economical roof tile large format appears light due to the innovative tile design and is easy to handle due to the reduced weight.

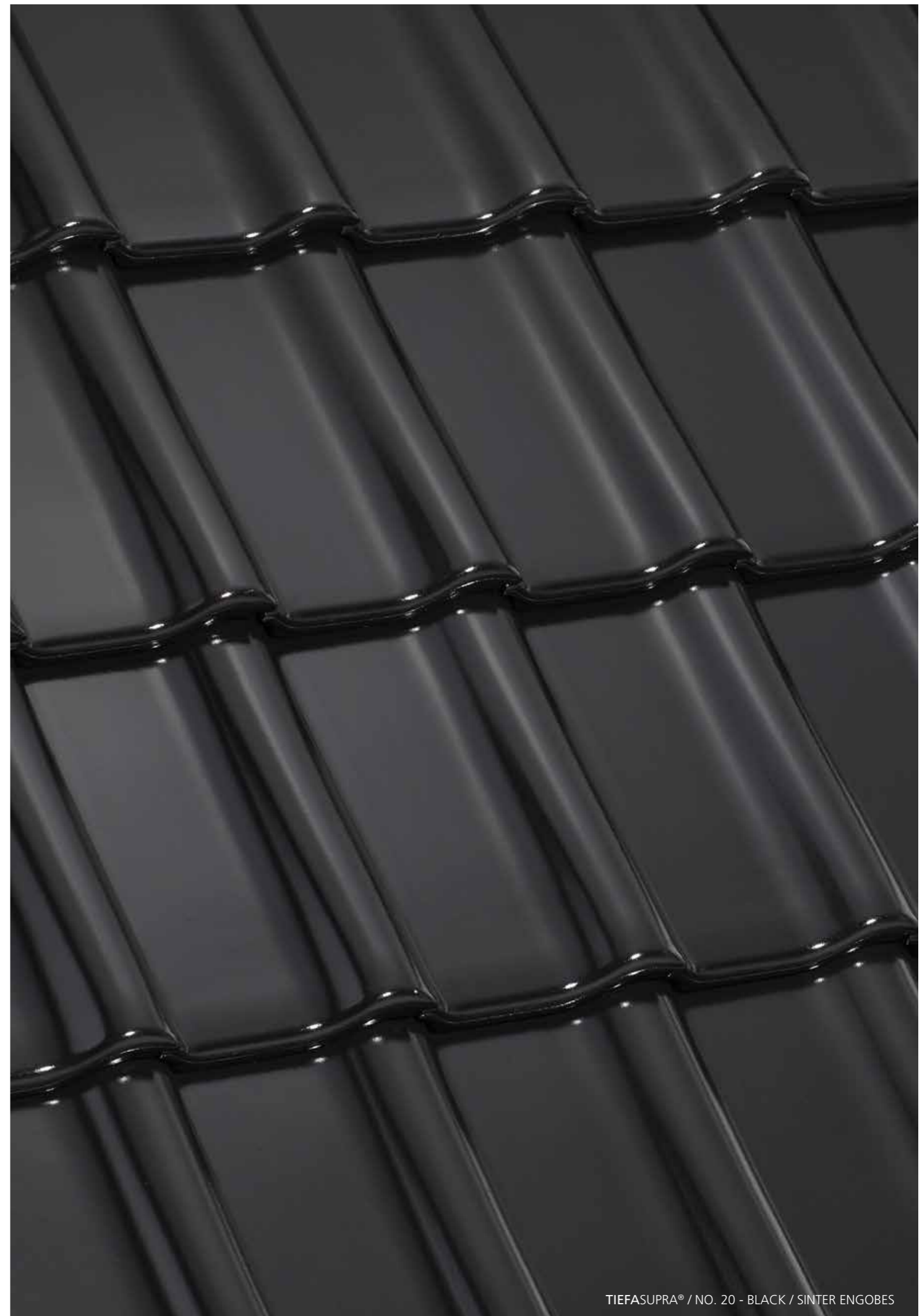




## TIEFASUPRA®

THE FUNCTIONAL, LARGE-FORMAT FLAT ROOF TILE

-  **Design:** elegant and functionally clear lines for timelessly modern look
-  **Surface effect:** apparent lightness through innovative tile design. Evenly calm and clearly structured
-  **Technology:** patented rain protection - especially when pulled. Suitable for very low roof pitches. Reduced weight and variable covering lengthly for quick and easy mounting
-  **Application:** economical roof tile large format for efficient covering for modernization and new construction



# UNIQUE SURFACES AND EXCLUSIVE COLOURS IN MATT AND SHINY

## FOR CLASSIC AND TIMELESS ROOF DESIGN

### NATURAL ENGOBES – Matt surface

A technically advanced way of colouring. An engobe of natural minerals is poured onto the dried tile before firing. The engobe enters into a firm, inseparable connection with the tile during the firing process, giving it a lively, nuanced play of colours.

30 YEARS WARRANTY ON ALL ROOF TILE PRODUCTS  
First-class natural raw materials, groundbreaking production processes and comprehensive external and internal quality control ensure the consistently high quality of our roof tiles.

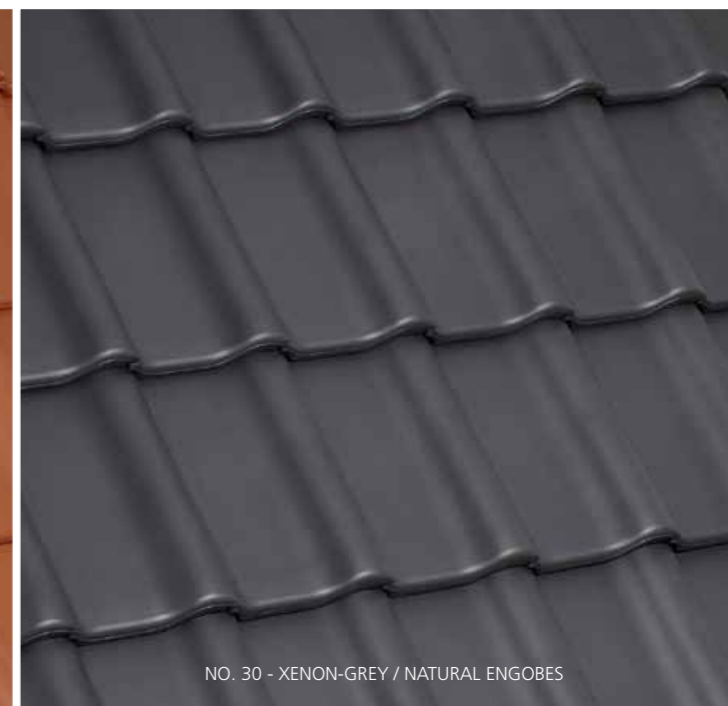


### SINTER ENGOBES – Silky matt surface

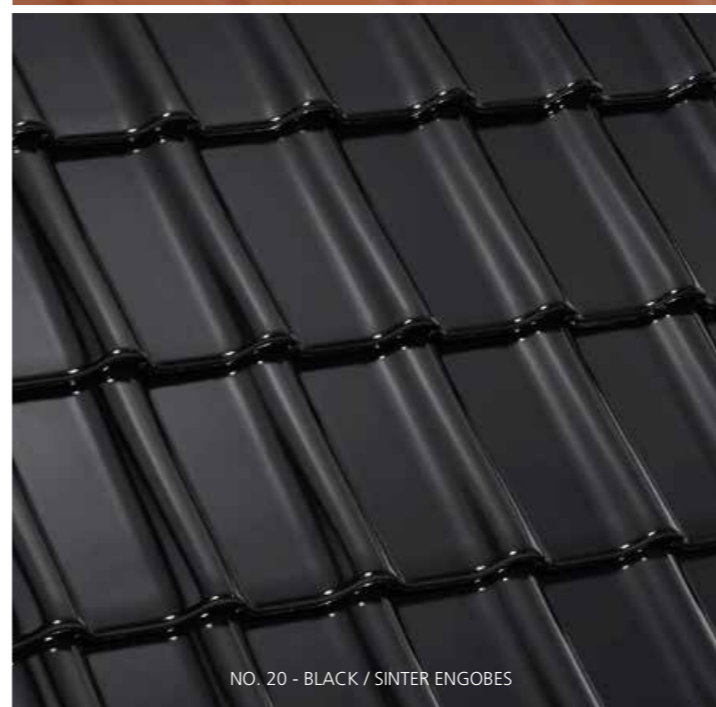
Sinter-engobes are engobes refined by the addition of glass bodies. The surface is much harder and therefore less sensitive to mechanical impacts and scratches. In addition, the denser surface, similar to a glaze, provides a dirt-repellent effect. Our sinter engobes are diffused and are characterized by a silken matt shine. An exception is colour no. 25 - graphite black. Here, the surface was deliberately reduced in gloss for an exclusive, matt appearance.



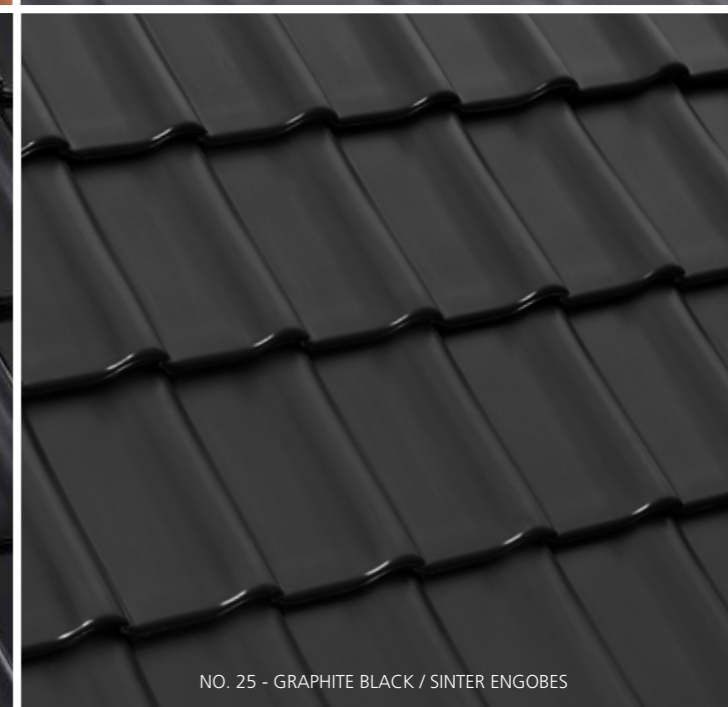
NO. 14 - RED / NATURAL ENGOBES



NO. 30 - XENON-GREY / NATURAL ENGOBES



NO. 20 - BLACK / SINTER ENGOBES



NO. 25 - GRAPHITE BLACK / SINTER ENGOBES

## 40% MORE COLOUR – 100% MORE ENTHUSIASM



### UNRIVALED LAUMANS COLOUR APPLICATION TECHNOLOGY. OVERPOUR INSTEAD OF SPRAYING OR SPINNING

- Up to 40 % higher thicknesses of coloured clay sludges for intense and consistent colours
- Uniquely defined, lively colours for an exclusive and inimitable naturalness
- Noticeably smoother roof tile surfaces for a perfect look and dirt-repellent effect
- Extremely hard surfaces for protection against mechanical and environmental influences

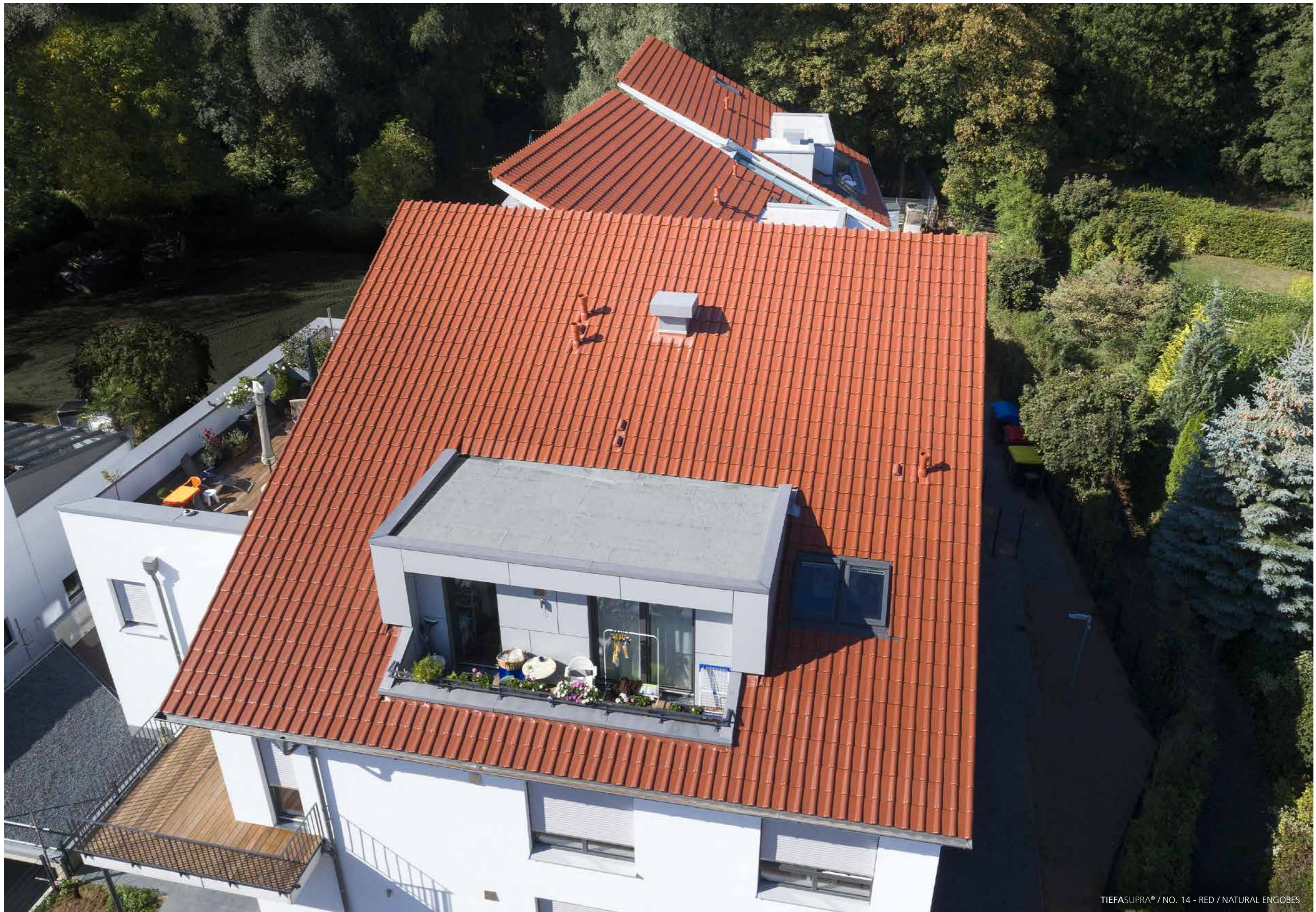


## A SIGN OF QUALITY

Our innovative production method, which fires the tiles upside down to save space, increases energy efficiency and ensures that colour only reaches where it is needed. Uncoloured fold areas disappear after covering by overlapping of the surrounding tiles. This way you can save resources and make roofs sustainable.











TIEFASUPRA® / NO. 30 - XENON GREY / NATURAL ENGOBES

# PRECISION IN PERFECTION. FOR SAFE PROTECTION FROM THE EAVES TO THE RIDGE.

The proverbial “roof over their heads” is a symbol of security, a source of safety for the family, a reflection of success and a basis for the future. It is at the same time an integral part of harmonious architecture, conveys natural beauty and protects you and your values.

#### EXPERIENCE MAKES SAFE

For more than 120 years, Laumans has been manufacturing high quality roof tiles. Innovative production processes and constant quality management have made our roof tiles genuine high-tech products from the beginning. In addition to extensive service, Laumans provides a 30-year warranty on all ceramic parts. Laumans – definitely the right decision

#### WHAT YOU CAN RELY ON

First-class clay masses, care in clay preparation, pressing and drying, the “overpouring” colour application technique perfected by Laumans and the firing process at over 1,000 ° C result in a technically sophisticated product. To ensure the quality of our roof tiles, we have developed a multi-level quality management system. At various points in the manufacturing process, modern photo-optical and laser-based testing-systems are used, which are extended by a manual quality acceptance of the product range. Independent, and recognized testing institutes in external test laboratories additionally guarantee the high quality of the roof tiles. The conformity of the products with the requirements of the EN 1304 standard is regularly confirmed by test certificates and the award of the quality mark.

#### SAFE WITH THE RIGHT TECHNOLOGY

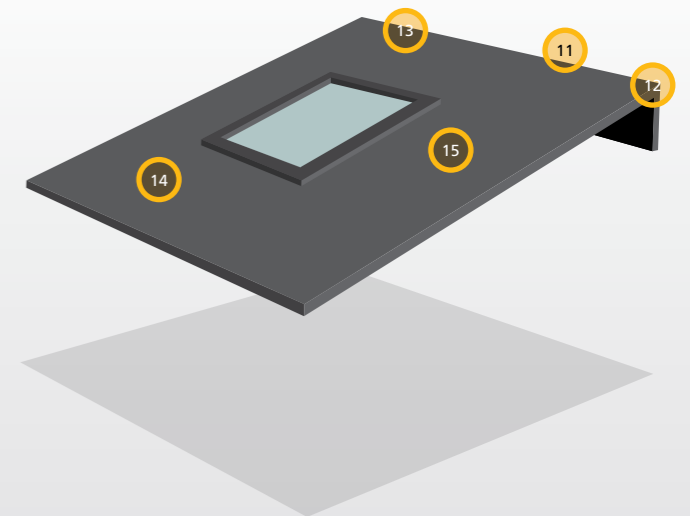
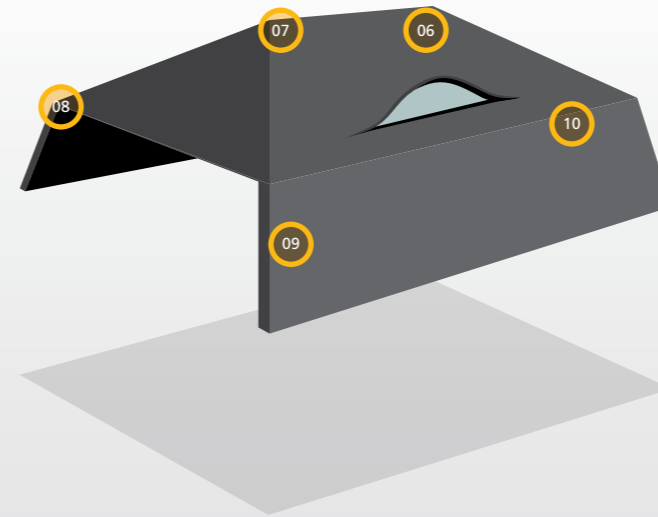
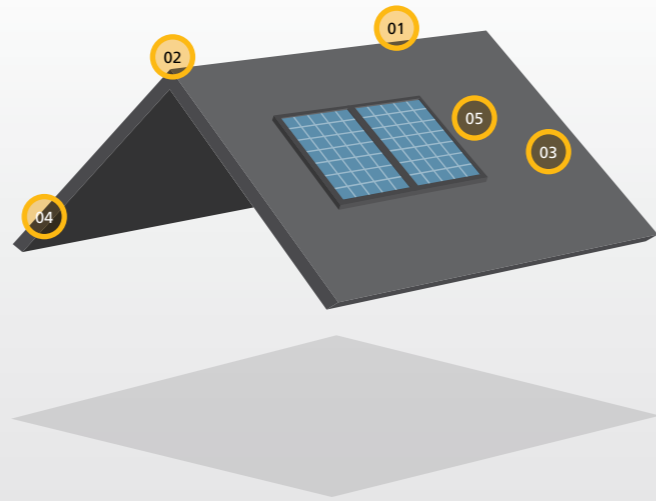
The sophisticated tile design with the intensive four-way covering of the roof tiles in the four-tile corner provides additional stability and makes them extremely safe in wind and storm. Partially prescribed clamping further increases the wind suction safety of Laumans products. The double interlocking joint also keeps out driving rain and blowing snow at low roof pitches. By the way, the company consistently follows the regulations of the “Central Association of the German Roofing Trade (ZVDH)” in the technical design of all roof tile models. As a result, our products score particularly in terms of rainfall and storm safety.

#### ADVANTAGE: SAFETY

- Premium roof tiles since 1896 - more than 120 years know-how in roof tile production
- Innovative production processes and 30-year warranty on all tile products
- Continuous quality control by means of state-of-the-art photo-optical and laser-based inspection systems as well as manual sorting
- Voluntary external control by independent and accredited testing institutes
- Intensive coverage of roof tiles in the four-tile corner for the best rain protection
- Extremely safe in driving rain and driving snow thanks to double ring folding
- Extensive accessory program with accurately fitting, ceramic functional roof tiles



# ACCESSORIES MADE OF CLAY. FOR PERFECT ROOFS.



Only the all-ceramic roof, from the eaves to the ridge, guarantees the unmistakable overall performance of a Laumans clay tile roof. One in shape and function unbeatable unit that defies all environmental influences and does not show material fatigue even after decades. Available in all available colours and finishes.

## OTHER ACCESSORIES

We supply various roof accessories, such as snow chains, runners, and safety step pans for static or safety reasons, in a material combination of metal and / or plastic. These products are available upon request in the chosen roof tile colour.

## ORNAMENTS MADE OF CLAY

Make your roof even more individual with ornaments made of clay. Whether rooster, sleepwalker or cat, your ideas have no limits. Talk to your specialist about the many possibilities.

**01** RIDGE TILE  
Perfect finishing tile for secure coverage of opposite roof surfaces on the ridge and hip.



**02** ROOF RIDGE ENDER  
Elegant ridge formation as a starting or ending tile.



**03** SOLAR CONNECTION  
Indispensable accessory tile for solar systems for penetration of the connection cable and pipework



**04** VERGE TILE  
INTERIOR BAULK  
Visually compact finish to the side roof plane and protection for the roof connection against driving rain. Available for left and right sides.



**05** DOUBLE BRIM TILE  
Left-hand finish for ascending masonry or roof windows.



**06** ANTENNA TILE  
For the safe implementation of satellite dish and antenna masts.



**07** HIP CAP  
All-ceramic covering of the transition between the ridge and hip. Suitable for roof pitches of 18–50°.



**08** HIP STARTING TILE  
Shapely and functional design for the start of the hip.



**09** HALF TILE  
Width compensation for existing roofs or for precise laying work on roof structures and roof windows.



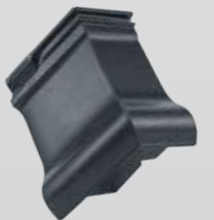
**10** MANSARD TILE  
The accessory for creating mansard roofs or other creative roof shapes according to the requirements of the roofer.



**11** SHED ROOF TILE  
Finishing tile for all monopitch roofs. With 90° angle as a standard-shaped part. Other shapes at the roofer's request.



**12** SHED-VERGE TILE  
Finishing tile for the side of mono-pitched roof and protection from driving rain. Available for right and left side.



**13** UNIVERSAL SHED ROOF TILE  
Universal cover with finishing tiles.



**14** VENTILATION TILE  
Additional surface ventilation in the eaves and ridge area. Ensures air circulation above the insulation and avoids condensation.

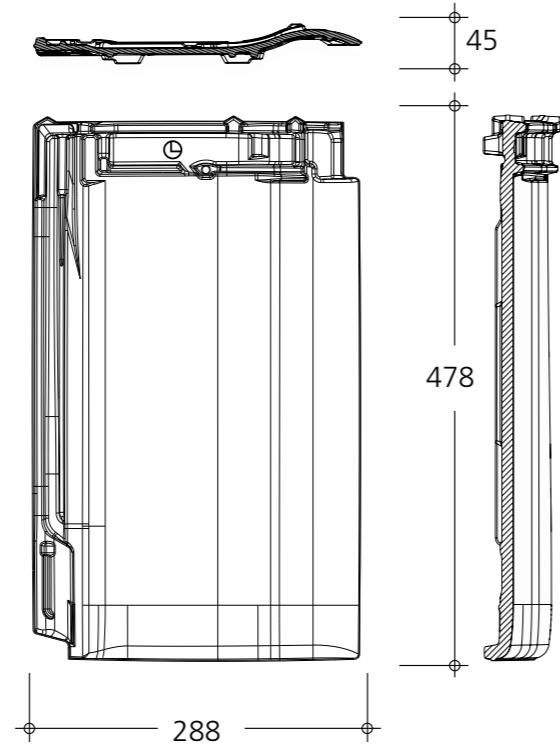


**15** VENTILATION PIPE  
For the driving rain-resistant ventilation of sanitary pipes and exhaust ducts over the roof.



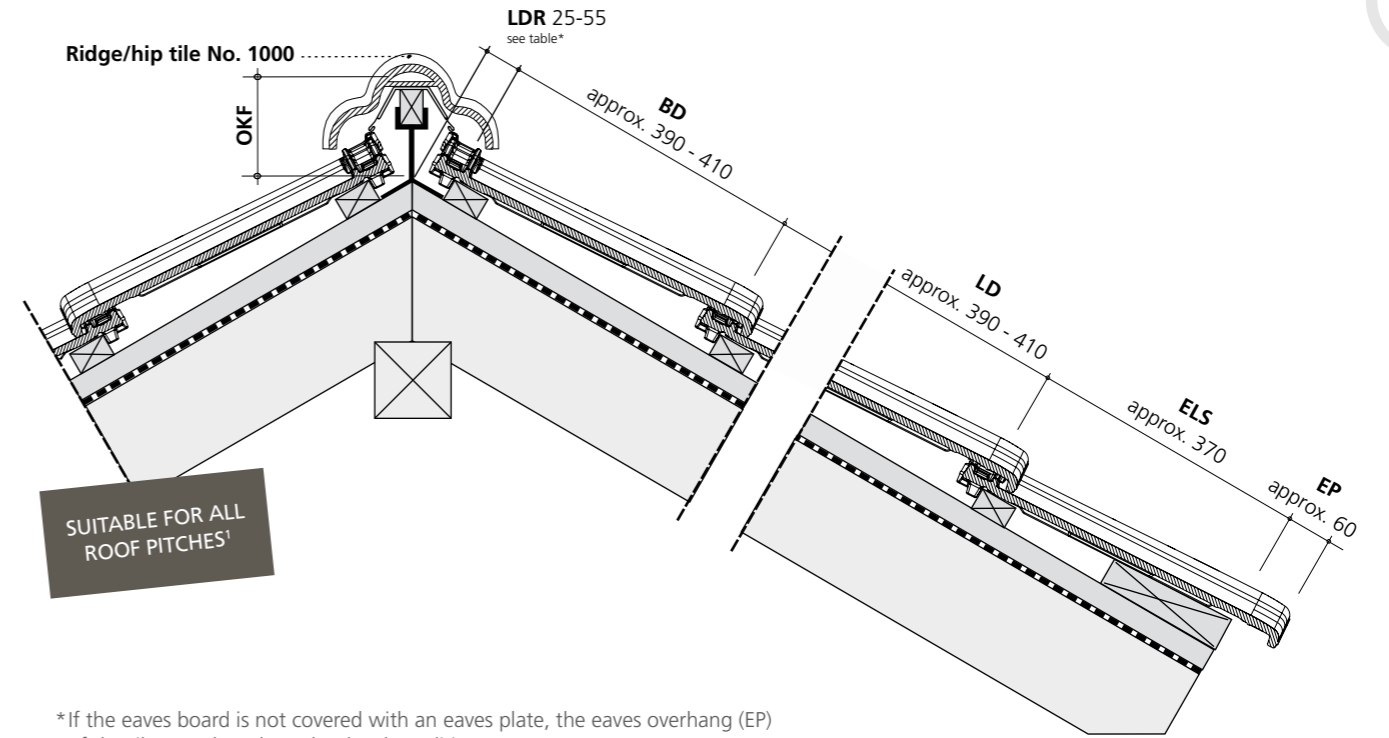
# TECHNOLOGY WITH SYSTEM

In addition to all visual aspects, the protective function and safety of your roof takes first place. Thanks to the wide contact surface and the pronounced suspension, the **TIEFASUPRA®** is firmly and securely on the roof batten. The four-way covering and intensive locking in the four-tile corner gives the tile surface additional stability and makes it extremely safe against wind suction. The double interlocking joint defies driving rain and snow. **And this already for roof pitches from 10 ° with corresponding additional measures.**<sup>1</sup>



## TIEFASUPRA®

DIMENSIONS	COVERING LENGTH	COVERING WIDTH	REQUIRED	WEIGHT PER	MINIMUM ROOF PITCH	STANDARD ROOF PITCH	PACKAGE CONTENTS
approx. 478 x 288 mm	approx. 390 - 410 mm	approx. 240 mm	from approx. 10,0 per m <sup>2</sup>	approx pc.: ca. 4,3 kg approx m <sup>2</sup> : 43,9 - 46,0 kg	10° with under-roof	22°	280 pc. on europalett

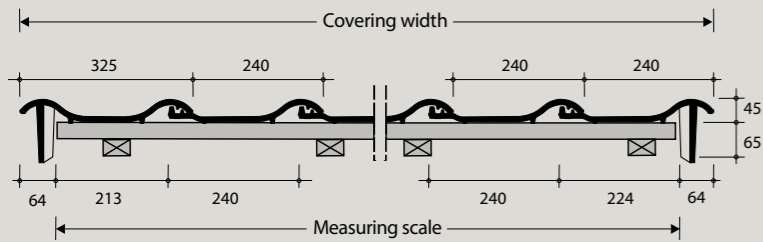


\*If the eaves board is not covered with an eaves plate, the eaves overhang (EP) of the tile must be adapted to local conditions.

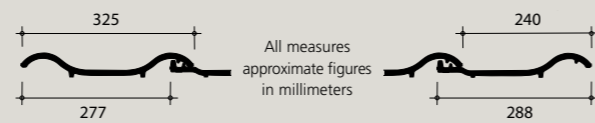
<sup>1</sup> If the regular roof pitch is undershot, the substructure must be executed with increased requirements

## EVALUATION/SIZING OF THE COVERING WIDTH

### A: Verge tile



### B: Double brim tile



All measures approximate figures in millimeters

Tile clips for storm protection  
409-221 Clipholster® to batten in ZIAL  
456-205 Clipholster® to hang onto batten size 30 x 50 ZIAL  
456-213 Clipholster® for batten size 40 x 60 ZIAL

Average covering width in rows without or with roof tile in mm construction width = respective measuring scale

ROWS		01	02	03	04	05	06	07	08	09	10	11	12	13	14	15
Roof tile (RT)		240	480	720	960	1.200	1.440	1.680	1.920	2.160	2.400	2.640	2.880	3.120	3.360	3.600
Double brim tile + RT	277 288	-	-	805	1.045	1.285	1.525	1.765	2.005	2.245	2.485	2.725	2.965	3.205	3.445	3.685
Verge tile l/r. (interior baulk) + RT	213 224	-	-	677	917	1.157	1.397	1.637	1.877	2.117	2.357	2.597	2.837	3.077	3.317	3.557

ROWS		16	17	18	19	20	21	22	23	24	25	26	27	28	29	30
Roof tile (RT)		3.840	4.080	4.320	4.560	4.800	5.040	5.280	5.520	5.760	6.000	6.240	6.480	6.720	6.960	7.200
Double brim tile + RT		3.925	4.165	4.405	4.645	4.885	5.125	5.365	5.605	5.845	6.085	6.325	6.565	6.805	7.045	7.285
Verge tile l/r. (interior baulk) + RT		3.797	4.037	4.277	4.517	4.757	4.997	5.237	5.477	5.717	5.957	6.197	6.437	6.677	6.917	7.157

## EVALUATION/SIZING OF THE RAFTER LENGTH

Eaves overhang (EP) 60 mm: number of rows (according to chart) + lath distance eaves (ELS) + lath distance ridge (LDR)

### Covering length

ROWS	01	02	03	04	05	06	07	08	09	10
COVERING LENGTH in mm	390	780	1.170	1.560	1.950	2.340	2.730	3.120	3.510	3.900
	400	800	1.200	1.600	2.000	2.400	2.800	3.200	3.600	4.000
	410	820	1.230	1.640	2.050	2.460	2.870	3.280	3.690	4.100
ROWS	11	12	13	14	15	16	17	18	19	20
COVERING LENGTH in mm	4.290	4.680	5.070	5.460	5.850	6.240	6.630	7.020	7.410	7.800
	4.400	4.800	5.200	5.600	6.000	6.400	6.800	7.200	7.600	8.000
	4.510	4.920	5.330	5.740	6.150	6.560	6.970	7.380	7.790	8.200
ROWS	21	22	23	24	25	26	27	28	29	30
COVERING LENGTH in mm	8.190	8.580	8.970	9.360	9.750	10.140	10.530	10.920	11.310	11.700
	8.400	8.800	9.200	9.600	10.000	10.400	10.800	11.200	11.600	12.000
	8.610	9.020	9.430	9.840	10.250	10.660	11.070	11.480	11.890	12.300

All values are determined with a 30 x 50 mm lathing. If other slat cross sections are used, than these must be checked at the construction site beforehand!

The accurate lath spacing has to be determined at the building site with the delivered tiles.

### Lath distance ridge (LDR)

Using roof tiles				
Roof pitch	20°	30°	40°	50°
Ridge No. 1000	55 mm	45 mm	40 mm	35 mm
Ridge No. 300	45 mm	45 mm	30 mm	25 mm

### Further fitting tiles available

Term	Covering width/Measuring scale
Half tile	121 mm
Ventilation tile, ventilation approx. 22 cm <sup>2</sup>	240 mm
Vent pipe/antenna opening tile	240 mm
Solar connection tile, admission max. 65 mm Ø	240 mm
Shed roof tile 90°, side length 220/100 mm	240 mm
Shed roof verge tile left	325 mm / 213 mm
Shed roof verge tile right	240 mm / 224 mm

Shed roof tiles with different slopes and dimensions, mansard tiles etc. on request.  
For ridge / hip tile and accessories, see pages 16-19

### Distance from ridge vertex / Top of ridge lath (OKF):

Using roof tiles				
Roof pitch	20°	30°	40°	50°
Ridge No. 1000	135 mm	115 mm	105 mm	90 mm
Ridge No. 300	135 mm	115 mm	110 mm	97 mm





PREMIUM CLAY TILES SINCE 1896

Gebr. Laumans GmbH & Co. KG  
Stiegstr. 88, D-41379 Brüggen  
Phone: +49 21 57 14 130  
Fax: +49 21 57 14 13 39  
info@laumans.de, www.laumans.de

