



PREMIUM CLAY TILES SINCE 1896

RHEINLANDVARIABEL

THE CLASSIC, TIMELESS
REFORM ROOF TILE



HERMANN MEHLER

Production

"It is a matter of the heart to give our partners in the craft products of the highest quality. Roof tiles that are easy to process – for best work results. That's what my colleagues and I do every day."

THE ADAPTABLE CLASSIC FOR TIMELESS ROOFS – RHEINLANDVARIABEL



The clay roof tile **RHEINLANDVARIABEL** is a true classic with enduring values: outstanding design and functionally unsurpassed. Continuous product improvements and an ongoing future-oriented steady development in production processes, have made this roof tile one of the most popular models on Germany's roofs.



RHEINLANDVARIABEL

THE CLASSIC, TIMELESS REFORM ROOF TILE

-  **Design:** modern, functional design with high adaptability
-  **Surface effect:** objective, discreet and calmly structured thanks to a gentle hollow
-  **Technology:** double interlocking joint for increased rain protection even at low roof pitch, variable covering length for quick and easy mounting
-  **Application:** perfect for visually reduced, modern roofing of detached and two-family houses. Very easy to combine with other roofing materials.



UNIQUE SURFACES AND EXCLUSIVE COLOURS

FOR CLASSIC AND TIMELESS ROOF DESIGN

NATURAL FIRED – Naturally matt surface

The most original form of colouring which solid colours the entire roof tile body.

NATURAL ENGOBES – Matt surface

Clay suspension of natural minerals which is poured over the roof tile before firing.

SINTER-ENGOBES – Silky matt surface

Engobe refined by the addition of glass bodies.

30 YEARS WARRANTY ON ALL ROOF TILE PRODUCTS

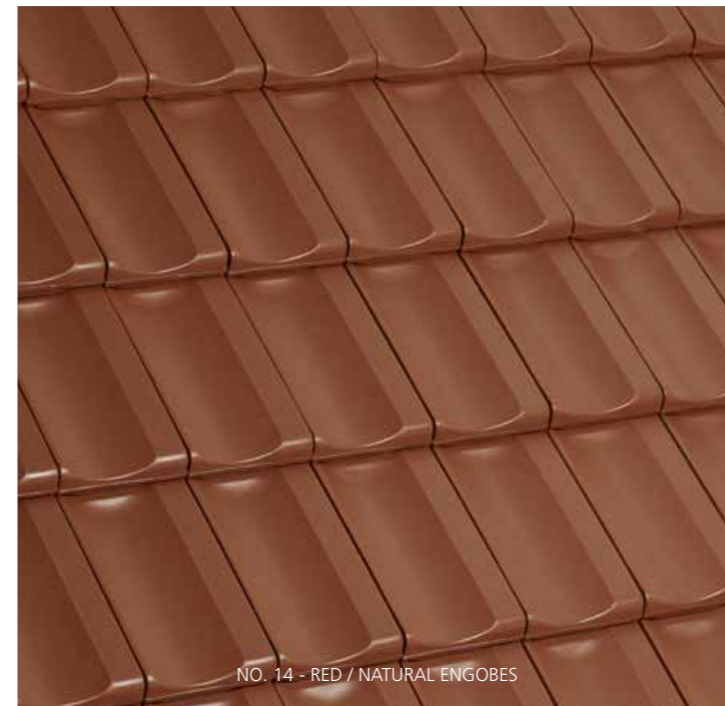
First-class natural raw materials, groundbreaking production processes and comprehensive external and internal quality control ensure the consistently high quality of our roof tiles.



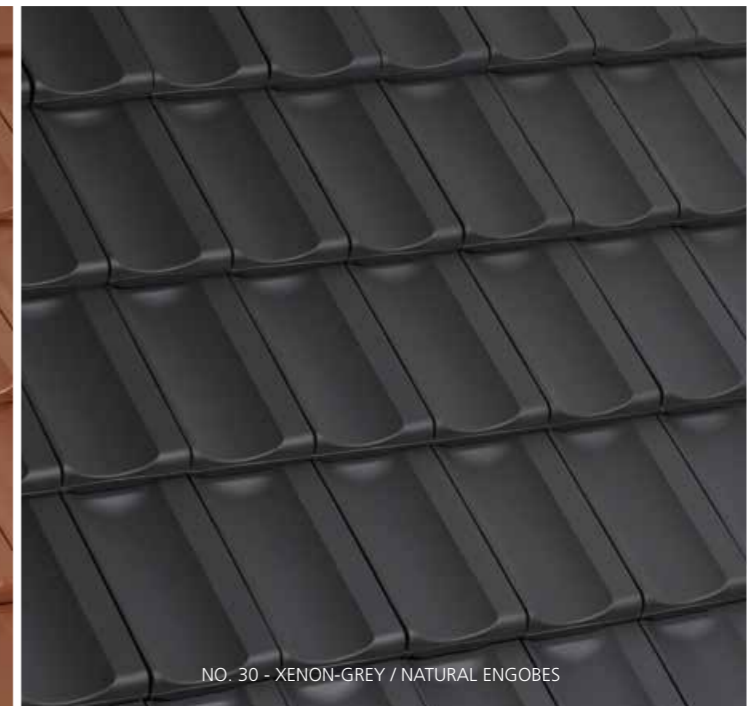
NO. 11 - NATURAL RED / NATURAL FIRED



NO. 12 - ANTIQUE / NATURAL ENGOBES



NO. 14 - RED / NATURAL ENGOBES



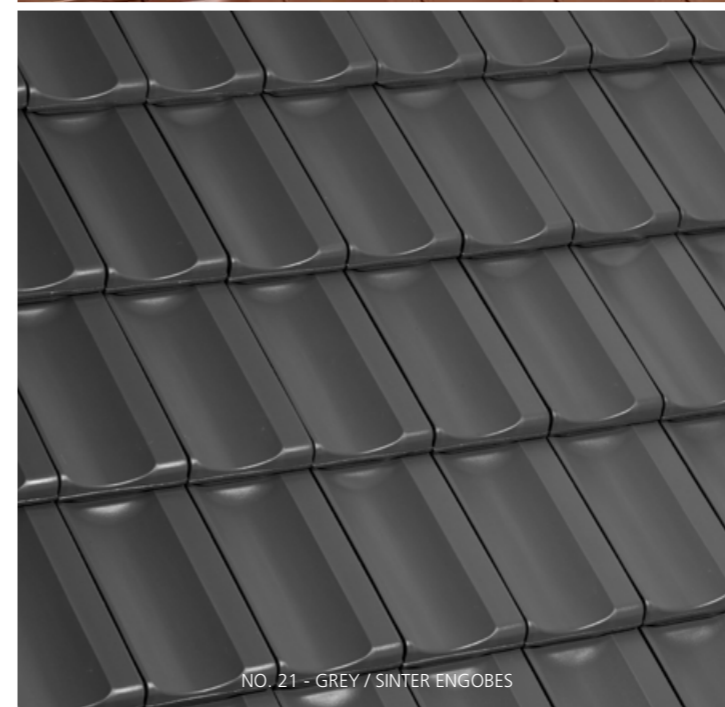
NO. 30 - XENON-GREY / NATURAL ENGOBES

40% MORE COLOUR – 100% MORE ENTHUSIASM



UNRIVALED LAUMANS COLOUR APPLICATION TECHNOLOGY. OVERPOUR INSTEAD OF SPRAYING OR SPINNING

- Up to 40 % higher thicknesses of coloured clay sludges for intense and consistent colours
- Uniquely defined, lively colours for an exclusive and inimitable naturalness
- Noticeably smoother roof tile surfaces for a perfect look and dirt-repellent effect
- Extremely hard surfaces for protection against mechanical and environmental influences



NO. 21 - GREY / SINTER ENGOBES

A SIGN OF QUALITY

Our innovative production method, which fires the tiles upside down to save space, increases energy efficiency and ensures that colour only reaches where it is needed. Uncoloured fold areas disappear after covering by overlapping of the surrounding tiles. This way you can save resources and make roofs sustainable.

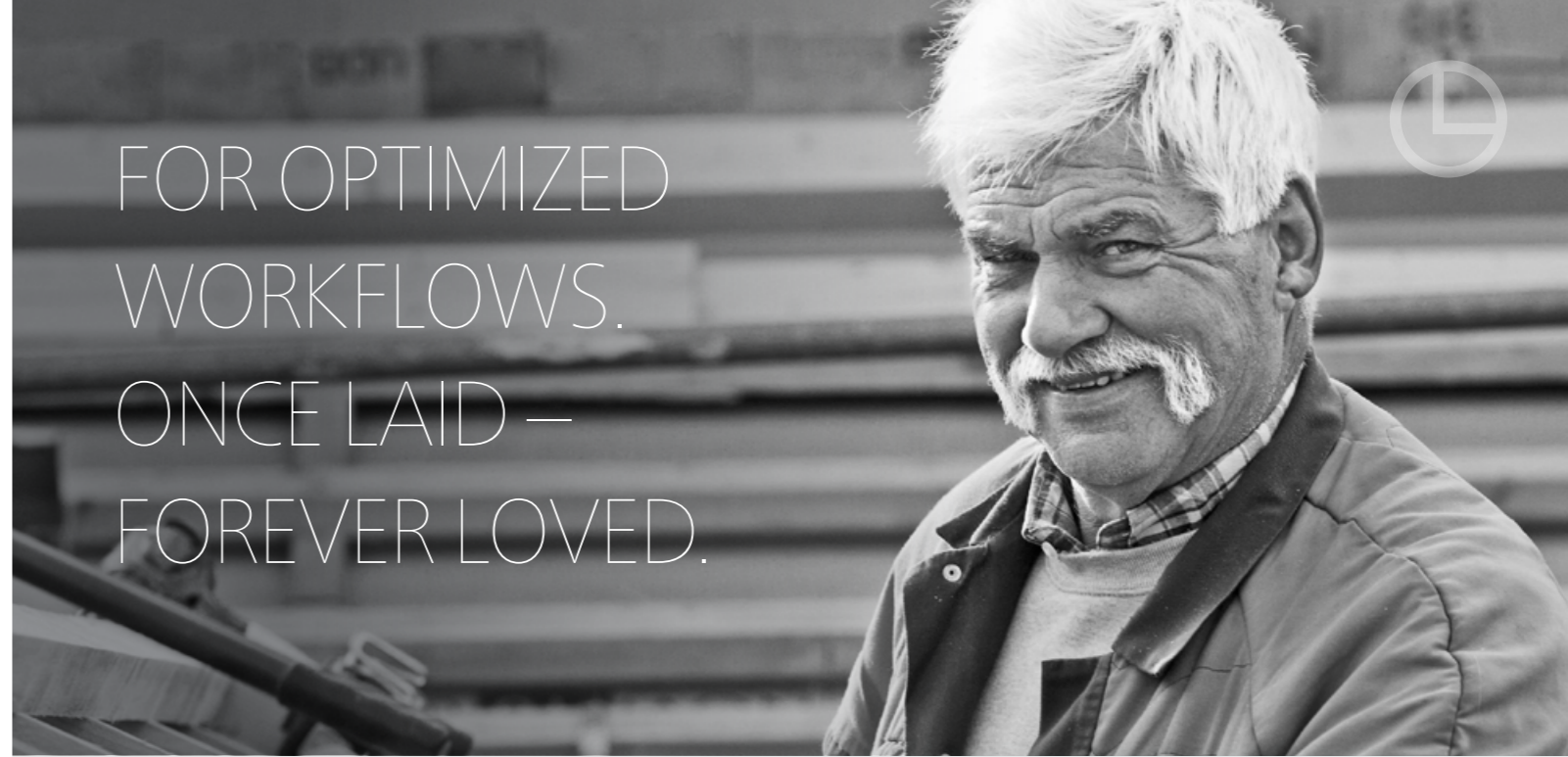






RHEINLANDVARIABEL / NO. 14 - RED / NATURAL ENGOBES

FOR OPTIMIZED
WORKFLOWS.
ONCE LAID –
FOREVER LOVED.



The clay roof tile has been accompanying the human being for more than 4,000 years and has been providing protection, safety and enjoyment for just as long. It is part of our history and the basis for a secure future. Roof tiles were constantly evolving. Therefore, today's Laumans Premium roof tile models are, apart from all their beauty, one thing above all else: easy to handle and process. As the original roof tile shapes have been continuously perfected.

INNOVATION FROM TRADITION

Since the founding of the traditional company Laumans in 1896, it has always been understood that the needs of builders and converters are translated into perfect, high-quality ceramic products. Through the consistent development of the tile models and the many improvements in detail, roof tiles from Laumans today define the high standard for technically mature roofs.

FAST AND EASY LAYING

Original Laumans Premium tiles from Tegelener clay have a low weight, because during firing the material forms a capillary system. This can account for up to a quarter of the total volume and is a prerequisite for the moisture exchange of the tile. A possible moss or algae growth on the tile surface is thereby reduced. In addition, carefully pressed out molds and dimensional and fitting accuracy, enable uncomplicated, economical laying with the greatest possible flexibility. Bundling in small packages simplifies handling on the roof.

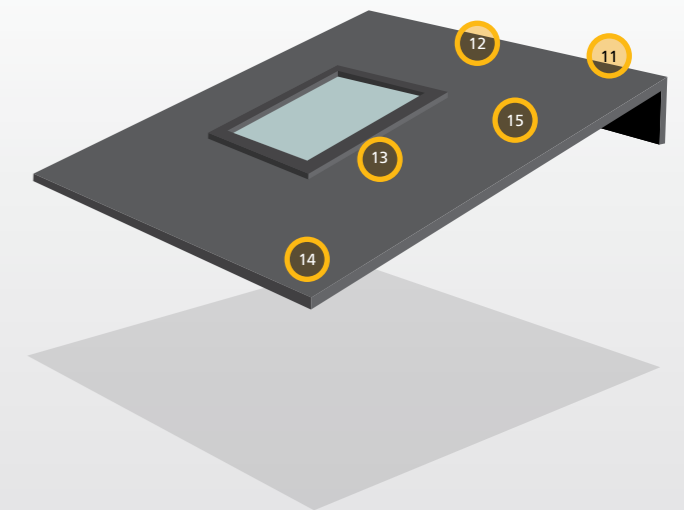
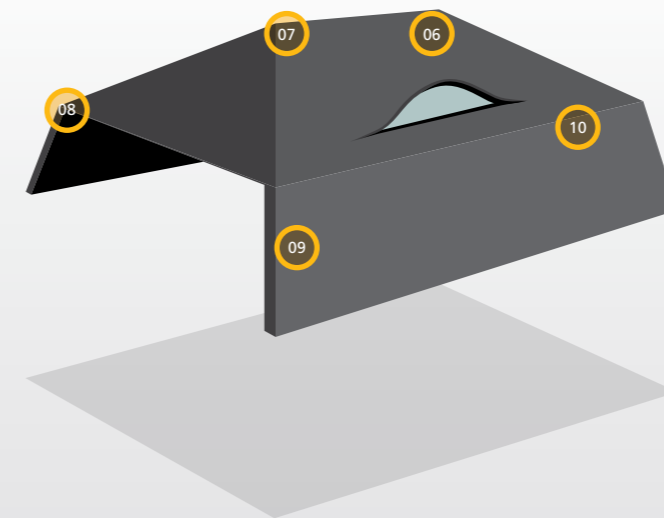
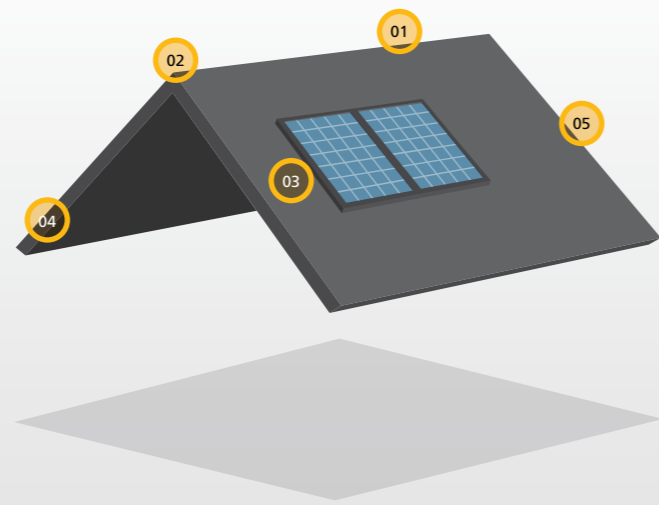
MAIN THING: VARIABLE

With the exception of the deliberately traditional hollow pantile, all Laumans roof tiles are variable in covering length. As a result, they adapt optimally to the conditions of the roof division on site. The enormous displaceability of the tiles lengthwise while maintaining a high level of rain protection makes them particularly interesting for roof restoration.

ADVANTAGE: INSTALLATION EASE

- Consistent development of the roof tile models for optimized workflows
- Variable covering lengths for quick laying work, especially for roof renovation
- Technically optimized side joints for secure overlap in the four-tile corner
- Extremely high dimensional and fitting accuracy for a clean surface impression
- Easy handling due to low tile weight
- Simple tile clips for fast as lightning mounting
- Precisely tuned clay accessories for high safety in all functional areas

ACCESSORIES MADE OF CLAY. FOR PERFECT ROOFS.



Only the all-ceramic roof, from the eaves to the ridge, guarantees the unmistakable overall performance of a Laumans clay tile roof. One in shape and function unbeatable unit that defies all environmental influences and does not show material fatigue even after decades. Available in all available colours and finishes.

OTHER ACCESSORIES

We supply various roof accessories, such as snow chains, runners, and safety step pans for static or safety reasons, in a material combination of metal and / or plastic. These products are available upon request in the chosen roof tile colour.

ORNAMENTS MADE OF CLAY

Make your roof even more individual with ornaments made of clay. Whether rooster, sleepwalker or cat, your ideas have no limits. Talk to your specialist about the many possibilities.



01 RIDGE TILE
Perfect finishing tile for secure coverage of opposite roof surfaces on the ridge and hip.

02 ROOF RIDGE ENDER
Elegant ridge formation as a starting or ending tile.

03 SOLAR CONNECTION
Indispensable accessory tile for solar systems for penetration of the connection cable and pipework

04 VERGE TILE INTERIOR BAULK
Visually compact finish to the side roof plane and protection for the roof connection against driving rain. Available for left and right sides.

05 VERGE TILE EXTERIOR BAULK
Visually compact finish to the side roof plane and protection for the roof connection against driving rain. Available for left and right sides.

06 ANTENNA TILE
For the safe implementation of satellite dish and antenna masts.

07 HIP CAP
All-ceramic covering of the transition between the ridge and hip. Suitable for roof pitches of 18–50°.

08 HIP STARTING TILE
Shapely and functional design for the start of the hip.

09 HALF TILE
Width compensation for existing roofs or for precise laying work on roof structures and roof windows.

10 MANSARD TILE
The accessory for creating mansard roofs or other creative roof shapes according to the requirements of the roofer.

11 SHED ROOF TILE
Finishing tile for all monopitch roofs. With 90° angle as a standard-shaped part. Other shapes at the roofer's request.

12 UNIVERSAL SHED ROOF TILE
Universal cover with finishing tiles.

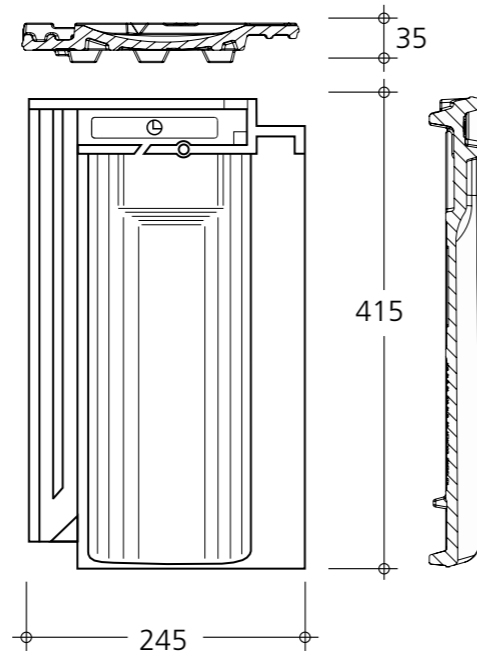
13 DOUBLE BRIM TILE
Left-hand finish for ascending masonry or roof windows.

14 VENTILATION TILE
Additional surface ventilation in the eaves and ridge area. Ensures air circulation above the insulation and avoids condensation.

15 VENTILATION PIPE
For the driving rain-resistant ventilation of sanitary pipes and exhaust ducts over the roof.

TECHNOLOGY WITH SYSTEM

In addition to all visual aspects, the protective function and safety of your roof takes first place. Thanks to the wide contact surface and the pronounced suspension, the RHEINLANDVARIABEL is firmly and securely on the roof batten. The four-way covering and intensive locking in the four-tile corner gives the tile surface additional stability and makes it extremely safe against wind suction. The double interlocking joint defies driving rain and snow. And this already for roof pitches from 17° with corresponding additional measures.¹

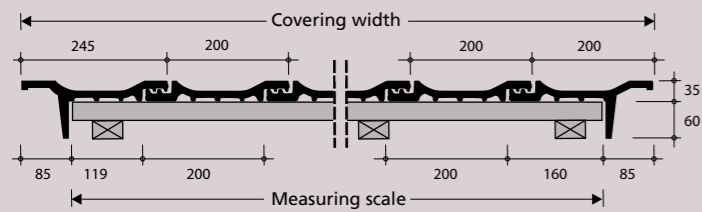


RHEINLANDVARIABEL

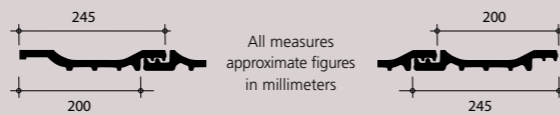
DIMENSIONS	COVERING LENGTH	COVERING WIDTH	REQUIRED	WEIGHT	MINIMUM ROOF PITCH	STANDARD ROOF PITCH	PACKAGE CONTENTS
approx. 415 x 245 mm	approx. 330 - 350 mm	approx. 200 mm	from approx. 14,3 per m ²	per pc.: approx. 3,7 kg per m ² : 52,9 - 56,2 kg	17° with under-roof	25°	300 pc. on europalett

EVALUATION/SIZING OF THE COVERING WIDTH

A: Vergé tile with interior baulk

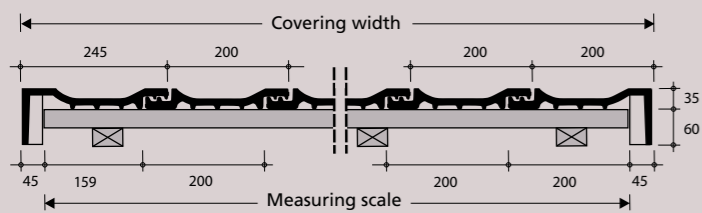


B: Double brim tile



All measures approximate figures in millimeters

A: Vergé tile with exterior baulk

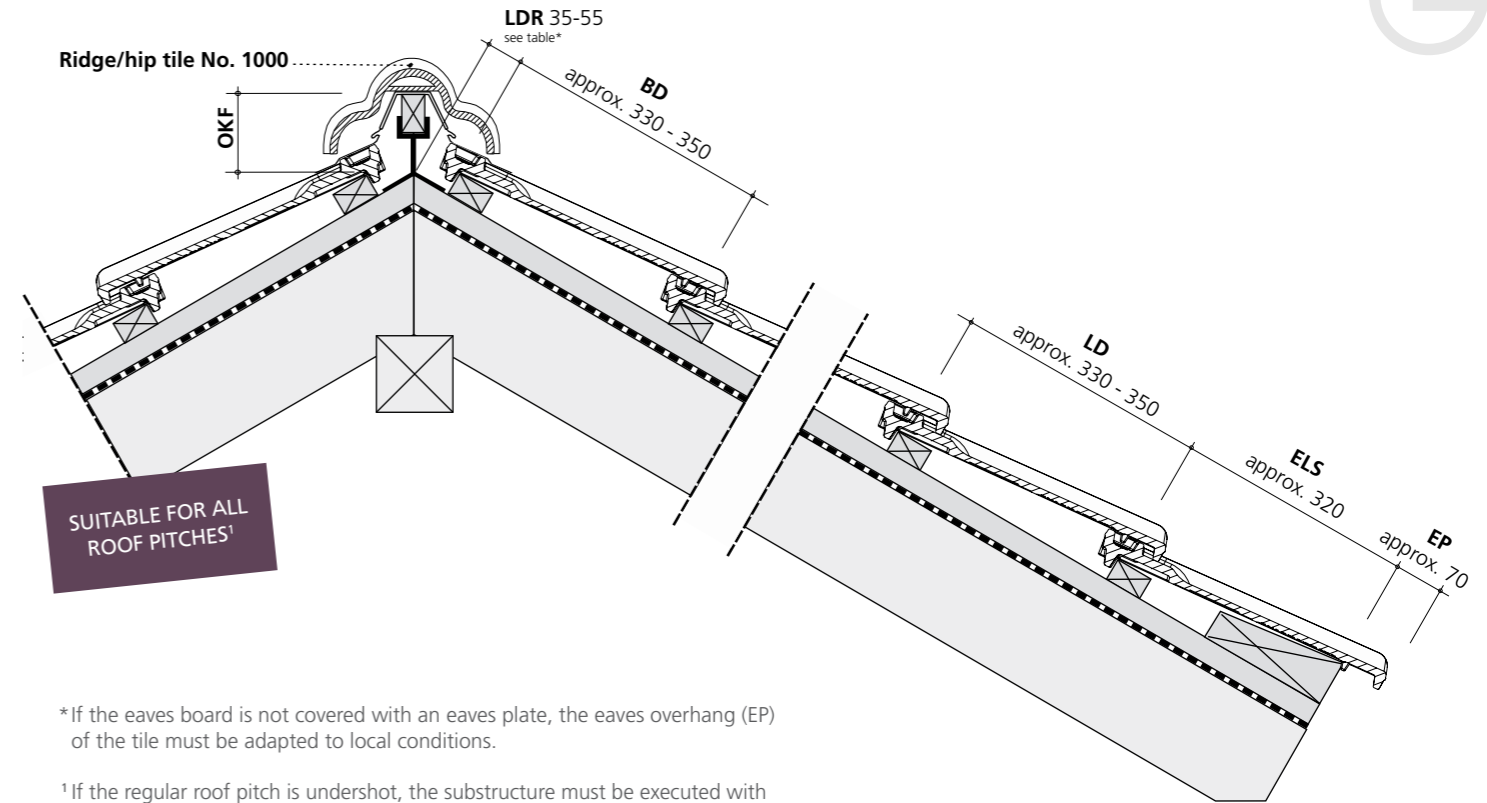


Tile clips for storm protection
409-214 Clipholster® to batten in ZIAL
456-205 Clipholster® to hang onto batten size 30 x 50 ZIAL
456-213 Clipholster® for batten size 40 x 60 ZIAL

Average covering width in rows without or with roof tile in mm construction width = respective measuring scale

ROWS		01	02	03	04	05	06	07	08	09	10	11	12	13	14	15	
Roof tile (RT)		200	400	600	800	1.000	1.200	1.400	1.600	1.800	2.000	2.200	2.400	2.600	2.800	3.000	
Double brim tile + RT	200	245	-	-	645	845	1.045	1.245	1.445	1.645	1.845	2.045	2.245	2.445	2.645	2.845	3.045
Vergé tile l./r. (interior baulk) + RT	119	160	-	-	479	679	879	1.079	1.279	1.479	1.679	1.879	2.079	2.279	2.479	2.679	2.879
Vergé tile l./r. (exterior baulk) + RT	159	200	-	-	559	759	959	1.159	1.359	1.559	1.759	1.959	2.159	2.359	2.559	2.759	2.959

ROWS		16	17	18	19	20	21	22	23	24	25	26	27	28	29	30
Roof tile (RT)		3.200	3.400	3.600	3.800	4.000	4.200	4.400	4.600	4.800	5.000	5.200	5.400	5.600	5.800	6.000
Double brim tile + RT		3.245	3.445	3.645	3.845	4.045	4.245	4.445	4.645	4.845	5.045	5.245	5.445	5.645	5.845	6.045
Vergé tile l./r. (interior baulk) + RT		3.079	3.279	3.479	3.679	3.879	4.079	4.279	4.479	4.679	4.879	5.079	5.279	5.479	5.679	5.879
Vergé tile l./r. (exterior baulk) + RT		3.159	3.359	3.559	3.759	3.959	4.159	4.359	4.559	4.759	4.959	5.159	5.359	5.559	5.759	5.959



*If the eaves board is not covered with an eaves plate, the eaves overhang (EP) of the tile must be adapted to local conditions.

¹If the regular roof pitch is undershot, the substructure must be executed with increased requirements

EVALUATION/SIZING OF THE RAFTER LENGTH

Eaves overhang (EP) 70 mm: number of rows (according to chart) + lath distance eaves (ELS) + lath distance ridge (LDR)

Covering length

ROWS	01	02	03	04	05	06	07	08	09	10
COVERING LENGTH in mm	330	660	990	1.320	1.650	1.980	2.310	2.640	2.970	3.300
	340	680	1.020	1.360	1.700	2.040	2.380	2.720	3.060	3.400
	350	700	1.050	1.400	1.750	2.100	2.450	2.800	3.150	3.500
COVERING LENGTH in mm	3.630	3.960	4.290	4.620	4.950	5.280	5.610	5.940	6.270	6.600
	3.740	4.080	4.420	4.760	5.100	5.440	5.780	6.120	6.460	6.800
	3.850	4.200	4.550	4.900	5.250	5.600	5.950	6.300	6.650	7.000
COVERING LENGTH in mm	6.930	7.260	7.590	7.920	8.250	8.580	8.910	9.240	9.570	9.900
	7.140	7.480	7.820	8.160	8.500	8.840	9.180	9.520	9.860	10.200
	7.350	7.700	8.050	8.400	8.750	9.100	9.450	9.800	10.150	10.500

All values are determined with a 30 x 50 mm lathing. If other slat cross sections are used, than these must be checked at the construction site beforehand!

The accurate lath spacing has to be determined at the building site with the delivered tiles.

Lath distance ridge (LDR)

Using roof tiles				
Roof pitch	20°	30°	40°	50°
Ridge No. 1000	55 mm	50 mm	47 mm	33 mm
Ridge No. 300	45 mm	45 mm	40 mm	35 mm

Further fitting tiles available

Term	Covering width/Measuring scale
Half tile	100 mm
Ventilation tile, ventilation approx. 15 cm ²	200 mm
Vent pipe/antenna opening tile	200 mm
Solar connection tile, admission max. 65 mm Ø	200 mm
Shed roof tile 90°, side length 220/100 mm	200 mm
Shed roof vergé tile left, interior baulk	245 mm / 119 mm
Shed roof vergé tile right, interior baulk	200 mm / 160 mm

Distance from ridge vertex / Top of ridge lath (OKF):

Using roof tiles				
Roof pitch	20°	30°	40°	50°
Ridge No. 1000	130 mm	110 mm	90 mm	80 mm
Ridge No. 300	125 mm	113 mm	98 mm	80 mm

Shed roof tiles with different slopes and dimensions, mansard tiles etc. on request.
For ridge / hip tile and accessories, see pages 16-19



Gebr. Laumans GmbH & Co. KG
Stiegstr. 88, D-41379 Brüggen
Phone: +49 21 57 14 130
Fax: +49 21 57 14 13 39
info@laumans.de, www.laumans.de

