



**IDEALVARIABEL**  
THE DYNAMIC, ELEGANT  
HOLLOW INTERLOCKING TILE



# ELEGANTLY CURVED PROFILE FOR DYNAMIC ROOFS – IDEALVARIABEL



The particularly lively roof tile model **IDEALVARIABEL** is modeled on the S-line shape of a traditional hollow pan. It has been developed by us over decades to technical and optical perfection. Its elegantly curved profile creates an inimitable light and shadow play on the roof surface. For an unmistakable strong character look, which is architecturally formative.

## HANS-JOSEF HEFFELS

Roof tile production





"I have been working at Laumans in the production of shaped tiles since 1983. Although a roof is largely made of surface tiles, it is precisely the shaped tiles that complete a roof down to the last detail and give it character. It gives me great pleasure that our customers receive not only safe, but also beautiful roofs through my contribution."





## IDEALVARIABLEL

THE DYNAMIC, ELEGANT HOLLOW INTERLOCKING TILE

-  **Design:** characteristic S-shape with strong curvature for a dynamic look
-  **Surface effect:** accentuated play of light and shadow through harmonious waveshape of the tile
-  **Technology:** double interlocking joint for increased rain protection, even at the lowest roof pitches; variable covering length for quick and easy mounting
-  **Application:** equally suitable for roof renovation and new construction. Harmonizes perfectly with all types of architecture





# UNIQUE SURFACES AND EXCLUSIVE COLOURS FROM MATT TO HIGH GLOSS

FOR INDIVIDUAL AND CREATIVE ROOF DESIGN.

## NATURAL FIRED – Naturally matt surface

The most original form of colouring which solid colours the entire roof tile body.

## NATURAL ENGOBES – Matt surface

Clay suspension of natural minerals which is poured over the roof tile before firing.

## SINTER-ENGOBES – Silky matt surface

Engobe refined by the addition of glass bodies.

## BRILLIANT GLAZES – Glossy surface

Ceramic coatings that fuse with the roof tile during firing.

## TREND GLAZES – Extra matt-satined surface

Premium glazes with significantly reduced gloss.

30 YEARS WARRANTY ON ALL ROOF TILE PRODUCTS  
First-class natural raw materials, groundbreaking production processes and comprehensive external and internal quality control ensure the consistently high quality of our roof tiles.



NO. 11 - NATURAL RED / NATURAL FIRED



NO. 12 - ANTIQUE / NATURAL ENGOBES



NO. 14 - RED / NATURAL ENGOBES



NO. 30 - XENON-GREY / NATURAL ENGOBES



NO. 20 - BLACK / SINTER ENGOBES



NO. 50 - BLACK / BRILLIANT GLAZES

40% MORE COLOUR –  
100% MORE ENTHUSIASM



UNRIVALED LAUMANS COLOUR APPLICATION TECHNOLOGY.  
OVERPOUR INSTEAD OF SPRAYING OR SPINNING

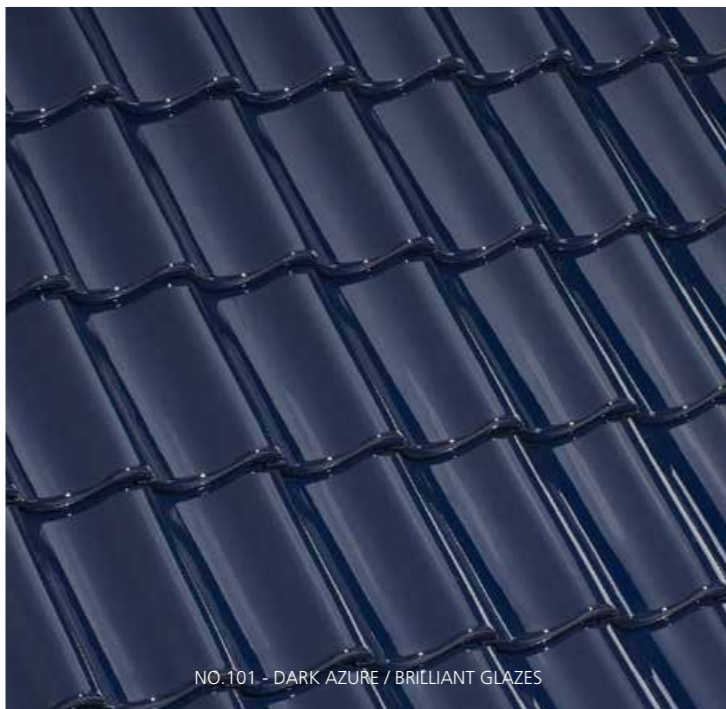
- Up to 40 % higher thicknesses of coloured clay sludges for intense and consistent colours
- Uniquely defined, lively colours for an exclusive and inimitable naturalness
- Noticeably smoother roof tile surfaces for a perfect look and dirt-repellent effect
- Extremely hard surfaces for protection against mechanical and environmental influences











NO.101 - DARK AZURE / BRILLIANT GLAZES



NO.114 - OCHRÉ BROWN / BRILLIANT GLAZES



NO.121 - MALCHITE GREEN / BRILLIANT GLAZES



NO.40 - SATIN BLACK / TREND GLAZES



NO.41 - SATIN GREY / TREND GLAZES

## A SIGN OF QUALITY

Our innovative production method, which fires the tiles upside down to save space, increases energy efficiency and ensures that colour only reaches where it is needed. Uncoloured fold areas disappear after covering by overlapping of the surrounding tiles. This way you can save resources and make roofs sustainable.



# LAUMANS ROOF TILE SYSTEM

Laumans recommends the use of accessories and parts made of clay. This results in a system called the all-ceramic roof. A unit that is unbeatable in shape and function, which defies all environmental influences and does not show any material fatigue even after decades. You will receive the accessories specially tailored to the roof tile model in every available colour and surface.

### WELL-THOUGHT-OUT IN EVERY DETAIL

Accessories are required for almost all functional and detail areas of a roof. These products are available upon request in the chosen tile colour. In addition to system accessories for fastening and roof penetration, there are additions to the edge areas of a roof at ridge and at the lateral end. Roof inspection systems and snow guard systems are made of other materials for structural or safety reasons. In any case, Laumans has the right, technically correct accessories for your roof tile model. Optionally suitable in the tile colours you choose.

### INDIVIDUAL ORNAMENTS MADE OF CLAY

The extensive Laumans range of moulded parts is complemented by order-related production. Thus, for example, the individual custom-made order of shed roof tiles in the customer order is possible.

### MATCHING ORNAMENTS MADE OF CLAY

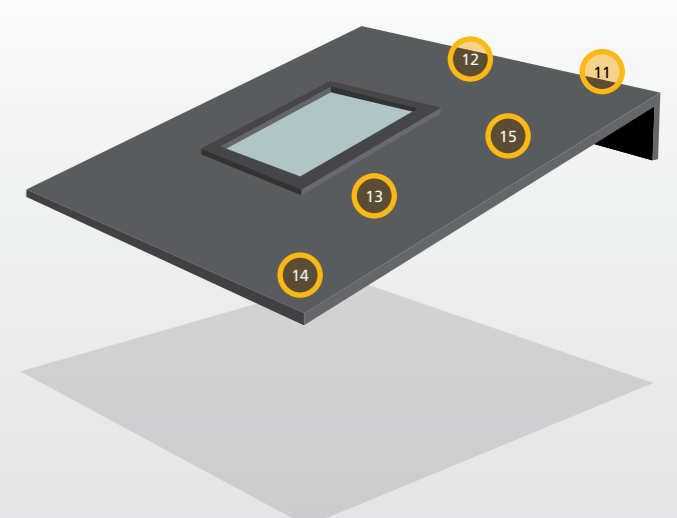
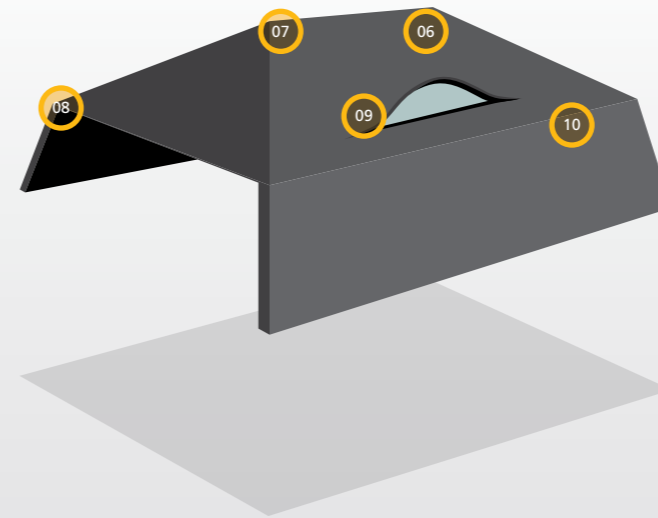
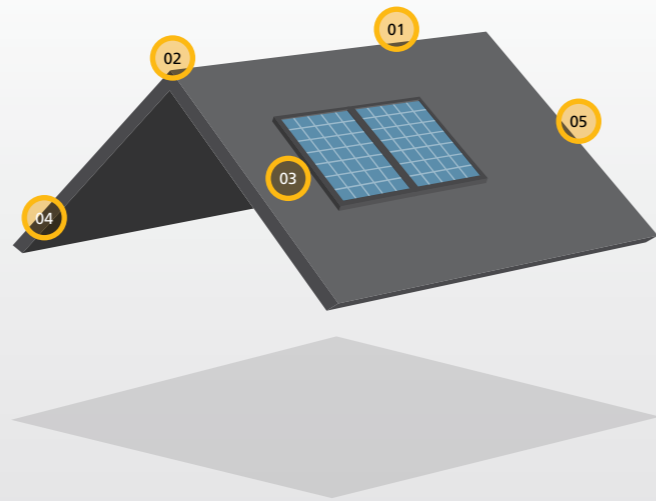
Even our accessories made of clay, such as sleepwalker, rooster or eagle, are optimally matched in shape, colour and surface to the selected roof tile.

## ADVANTAGE: ROOF TILE SYSTEM

- Extensive system accessories for the all-ceramic roof
- Specially designed for the tile model in shape and colour
- Without material fatigue for extremely long durability
- Dimensionally accurate and fit for simple, fast processing
- Order-related production for individual building project
- Supplementary roof decoration in model specific colours and finishes
- Supplementary non-ceramic accessory for special functional areas



# ACCESSORIES MADE OF CLAY. FOR PERFECT ROOFS.



Only the all-ceramic roof, from the eaves to the ridge, guarantees the unmistakable overall performance of a Laumans clay tile roof. One in shape and function unbeatable unit that defies all environmental influences and does not show material fatigue even after decades. Available in all available colours and finishes.

## OTHER ACCESSORIES

We supply various roof accessories, such as snow chains, runners, and safety step pans for static or safety reasons, in a material combination of metal and / or plastic. These products are available upon request in the chosen roof tile colour.

## ORNAMENTS MADE OF CLAY

Make your roof even more individual with ornaments made of clay. Whether rooster, sleepwalker or cat, your ideas have no limits. Talk to your specialist about the many possibilities.



**01 RIDGE TILE**  
Perfect finishing tile for secure coverage of opposite roof surfaces on the ridge and hip.



**02 ROOF RIDGE ENDER**  
Elegant ridge formation as a starting or ending tile.



**03 SOLAR CONNECTION**  
Indispensable accessory tile for solar systems for penetration of the connection cable and pipework



**04 VERGE TILE INTERIOR BAULK**  
Visually compact finish to the side roof plane and protection for the roof connection against driving rain. Available for left and right sides.



**05 VERGE TILE EXTERIOR BAULK**  
Visually compact finish to the side roof plane and protection for the roof connection against driving rain. Available for left and right sides.



**06 UNDER-RIDGE VENTILATION TILE**  
Technical and visual improvement of the seat of the ridge tile in the last row.



**07 HIP CAP**  
All-ceramic covering of the transition between the ridge and hip. Suitable for roof pitches of 18–50°.



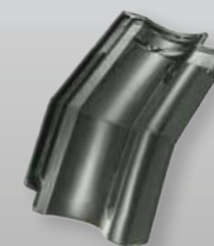
**08 HIP STARTING TILE**  
Shapely and functional design for the start of the hip.



**09 SPECIAL TILE**  
... for "bat" dormer. Special roof tile with fitted joints to the elegantly shaped manifestation of "bat" dormer



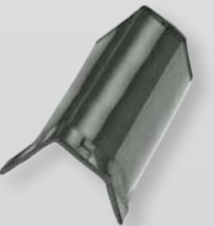
**10 MANSARD TILE**  
The accessory for creating mansard roofs or other creative roof shapes according to the requirements of the roofer.



**11 SHED ROOF TILE**  
Finishing tile for all monopitch roofs. With 90° angle as a standard-shaped part. Other shapes at the roofer's request.



**12 UNIVERSAL SHED ROOF TILE**  
Universal cover with finishing tiles.



**13 DOUBLE BRIM TILE**  
Left-hand finish for ascending masonry or roof windows.



**14 VENTILATION TILE**  
Additional surface ventilation in the eaves and ridge area. Ensures air circulation above the insulation and avoids condensation.

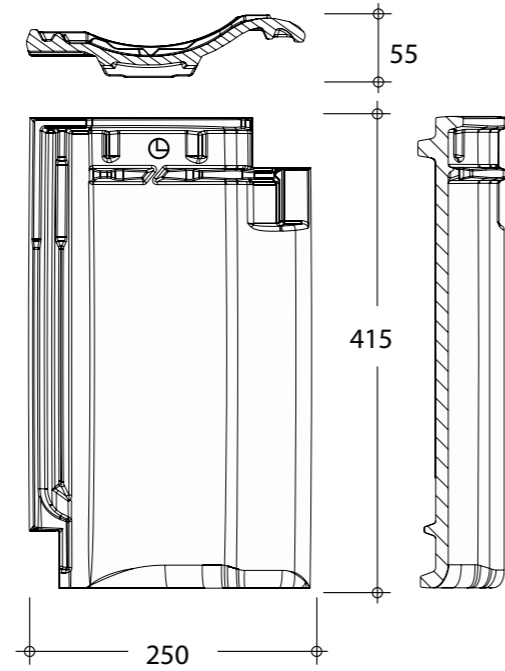


**15 VENTILATION PIPE**  
For the driving rain-resistant ventilation of sanitary pipes and exhaust ducts over the roof.



# TECHNOLOGY WITH SYSTEM

In addition to all visual aspects, the protective function and safety of your roof takes first place. Thanks to the wide contact surface and the pronounced suspension, the IDEALVARIABEL is firmly and securely on the roof batten. The four-way covering and intensive locking in the four-tile corner gives the tile surface additional stability and makes it extremely safe against wind suction. The double interlocking joint defies driving rain and snow. **And this already for roof pitches from 14 ° with corresponding additional measures.<sup>1</sup>**

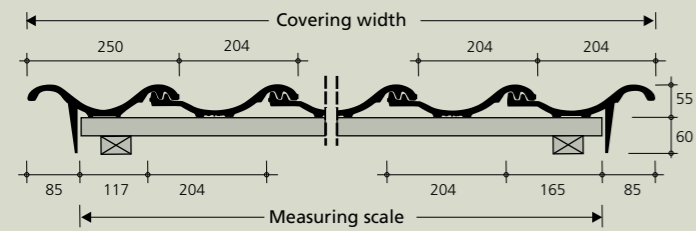


## IDEALVARIABEL

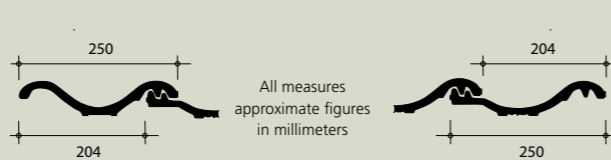
DIMENSIONS	COVERING LENGTH	COVERING WIDTH	REQUIRED	WEIGHT	MINIMUM ROOF PITCH	STANDARD ROOF PITCH	PACKAGE CONTENTS
approx. 415 x 250 mm	approx. 332 - 347 mm	approx. 204 mm	from approx. 14,2 per m <sup>2</sup>	per pc.: approx. 3,4 kg per m <sup>2</sup> : 47,9 - 50,3 kg	14° with under-roof	22°	280 pc. on europallet

## EVALUATION/SIZING OF THE COVERING WIDTH

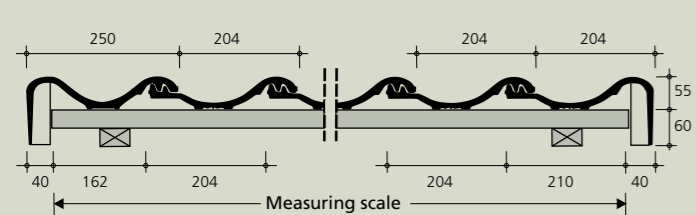
### A: Vergé tile with interior baulk



### B: Double brim tile



### C: Vergé tile with exterior baulk



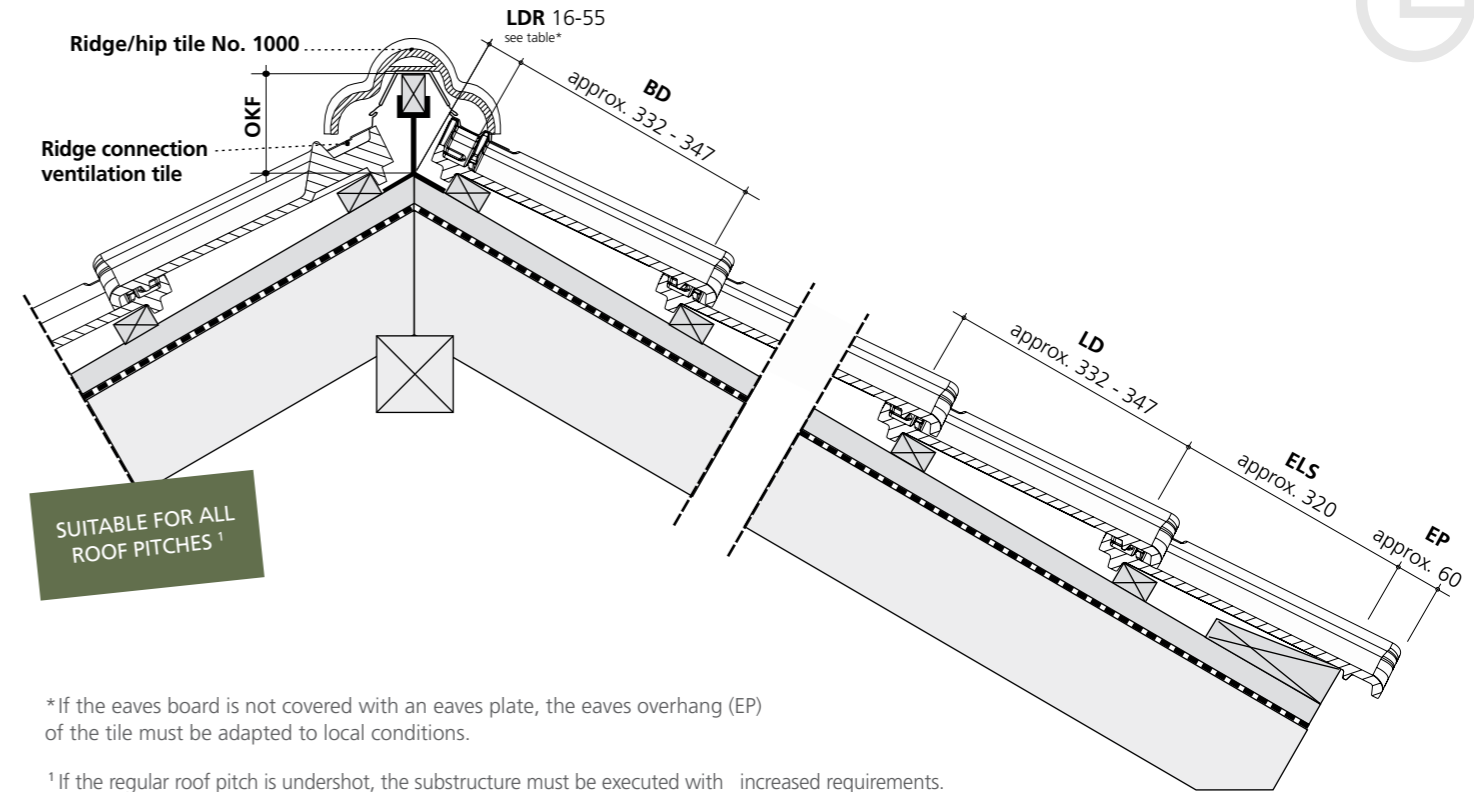
Tile clips for storm protection  
409-221 Clipholster® to batten in ZIAL  
456-207 Clipholster® to hang onto batten size 30 x 50 mm ZIAL  
456-015 for batten size 40 x 60 mm ZIAL

Storm clip assignment  
Take advantage of our free online tool for the wind suction calculation and storm bracket assignment.  
[www.laumans.de/en/wind-suction](http://www.laumans.de/en/wind-suction)

Average covering width in rows without or with roof tile in mm construction width = respective measuring scale

ROWS		01	02	03	04	05	06	07	08	09	10	11	12	13	14	15
Roof tile (RT)		204	408	612	816	1.020	1.224	1.428	1.632	1.836	2.040	2.244	2.448	2.652	2.856	3.060
Double brim tile + RT	204	250	-	-	658	862	1.066	1.270	1.474	1.678	1.882	2.086	2.290	2.494	2.698	2.902
Vergé tile l./r. (interior baulk) + RT	117	165	-	-	486	690	894	1.098	1.302	1.506	1.710	1.914	2.118	2.322	2.526	2.730
Vergé tile l./r. (exterior baulk) + RT	162	210	-	-	576	780	984	1.188	1.392	1.596	1.800	2.004	2.208	2.412	2.616	2.820

ROWS		16	17	18	19	20	21	22	23	24	25	26	27	28	29	30
Roof tile (RT)		3.264	3.468	3.672	3.876	4.080	4.284	4.488	4.692	4.896	5.100	5.304	5.508	5.712	5.916	6.120
Double brim tile + RT		3.310	3.514	3.718	3.922	4.126	4.330	4.534	4.738	4.942	5.146	5.350	5.554	5.758	5.962	6.166
Vergé tile l./r. (interior baulk) + RT		3.138	3.342	3.546	3.750	3.954	4.158	4.362	4.566	4.770	4.974	5.178	5.382	5.586	5.790	5.994
Vergé tile l./r. (exterior baulk) + RT		3.228	3.432	3.636	3.840	4.044	4.248	4.452	4.656	4.860	5.064	5.268	5.472	5.676	5.880	6.084



\*If the eaves board is not covered with an eaves plate, the eaves overhang (EP) of the tile must be adapted to local conditions.

<sup>1</sup> If the regular roof pitch is undershot, the substructure must be executed with increased requirements.

## EVALUATION/SIZING OF THE RAFTER LENGTH

Eaves overhang (EP) 60 mm: number of rows (according to chart) + lath distance eaves (ELS) + lath distance ridge (LDR)

### Covering length

ROWS	01	02	03	04	05	06	07	08	09	10
COVERING LENGTH in mm	332	664	996	1.328	1.660	1.992	2.324	2.656	2.988	3.320
	340	680	1.020	1.360	1.700	2.040	2.380	2.720	3.060	3.400
	347	694	1.041	1.388	1.735	2.082	2.429	2.776	3.060	3.470
ROWS	11	12	13	14	15	16	17	18	19	20
COVERING LENGTH in mm	3.652	3.984	4.316	4.648	4.980	5.312	5.644	5.976	6.308	6.640
	3.740	4.080	4.420	4.760	5.100	5.440	5.780	6.120	6.460	6.800
	3.817	4.164	4.511	4.858	5.205	5.552	5.899	6.246	6.593	6.940
ROWS	21	22	23	24	25	26	27	28	29	30
COVERING LENGTH in mm	6.972	7.304	7.304	7.968	8.300	8.632	8.964	9.296	9.628	9.960
	7.140	7.480	7.480	8.160	8.500	8.840	9.180	9.520	9.860	10.200
	7.287	7.634	7.634	8.328	8.675	9.022	9.369	9.716	10.063	10.410

All values are determined with a 30 x 50 mm lathing. If other slat cross sections are used, than these must be checked at the construction site beforehand!

The accurate lath spacing has to be determined at the building site with the delivered tiles.

### Lath distance ridge (LDR)

Using roof tiles				
Roof pitch	20°	30°	40°	50°
Ridge No. 1000	55 mm	45 mm	25 mm	20 mm
Ridge No. 300	55 mm	30 mm	25 mm	16 mm
Using roof tiles				
Roof pitch	20°	30°	40°	50°
Ridge No. 1000	70 mm	45 mm	45 mm	20 mm
Ridge No. 300	40 mm	45 mm	33 mm	25 mm

### Further fitting tiles available

Term	Covering width / Measuring scale
Ventilation tile, ventilation approx. 15 cm <sup>2</sup>	204 mm
Vent pipe/antenna opening tile	204 mm
Solar connection tile, admission max. 65 mm Ø	204 mm
Unter-ridge ventilation tile	204 mm
Unter-ridge ventilation verge tile left, interior baulk	117 mm
Unter-ridge ventilation verge tile right, interior baulk	165 mm
Shed roof tile 90°, side length 220/100 mm	204 mm
Shed roof verge tile left, interior baulk	250 mm / 117 mm
Shed roof verge tile right, interior baulk	204 mm / 165 mm

Shed roof tiles with different slopes and dimensions, mansard tiles etc. on request.

### Distance from ridge vertex / Top of ridge lath (OKF):

Using roof tiles				
Roof pitch	20°	30°	40°	50°
Ridge No. 1000	150 mm	140 mm	125 mm	115 mm
Ridge No. 300	150 mm	130 mm	125 mm	110 mm
Using ridge inlay				
Roof pitch	20°	30°	40°	50°
Ridge No. 1000	145 mm	130 mm	125 mm	120 mm
Ridge No. 300	145 mm	130 mm	125 mm	120 mm





Gebr. Laumans GmbH & Co. KG  
Stiegstr. 88, D-41379 Brüggen  
Phone: +49 21 57 14 13 0  
Fax: +49 21 57 14 13 39  
info@laumans.de, www.laumans.de

