



HOHLPFANNE

THE TRADITIONAL, STRIKING
HOLLOW PAN



ABDENNASER TOLLIH
Special roof tile production

"The decision to buy a roof is usually only made once in a lifetime by our customers. They rely on quality and longevity of our roof tiles. That's why I'm proud to work for a company that has been producing roof tiles for more than 120 years. Our experience gives me and my colleagues the certainty of doing the right thing for our customers."

THE STRIKING CURVED HOLLOW PAN FOR THE TRADITIONAL ROOF – HOHLPFANNE







The **HOHLPFANNE** (hollow pan) in its basic shape goes all the way back to the Roman Empire. Already at that time the value and beauty of fired clay was cherished. Heavily curved and without interlocking joints, to this day it remains a beautiful and effective method to give your house a matchless character and, at the same time, defy all environmental influences.



HOHLPFANNE

THE TRADITIONAL, STRIKING HOLLOW PAN

-  **Design:** functional design and expressive wave appearance
-  **Surface effect:** distinctive, homogeneous play of light and shadow through deep tile vaulting
-  **Technology:** available in a long-cut and short-cut version for different mounting options
-  **Application:** for refurbishment, reconstruction and renovation of historic buildings. Also excellent in combination with modern architectural styles.



EXCLUSIVE COLOURS FOR THE CHARACTERISTIC ROOF DESIGN.

NATURAL FIRED – NATURALLY MATTE SURFACE

Our colour palette begins with natural red clay tiles. Only roof tiles of fired clay may be called "natural red". This hue can occur in different tendencies, such as occur in nature, for example, in flowers and leaves, and represents the most original form of colouring.

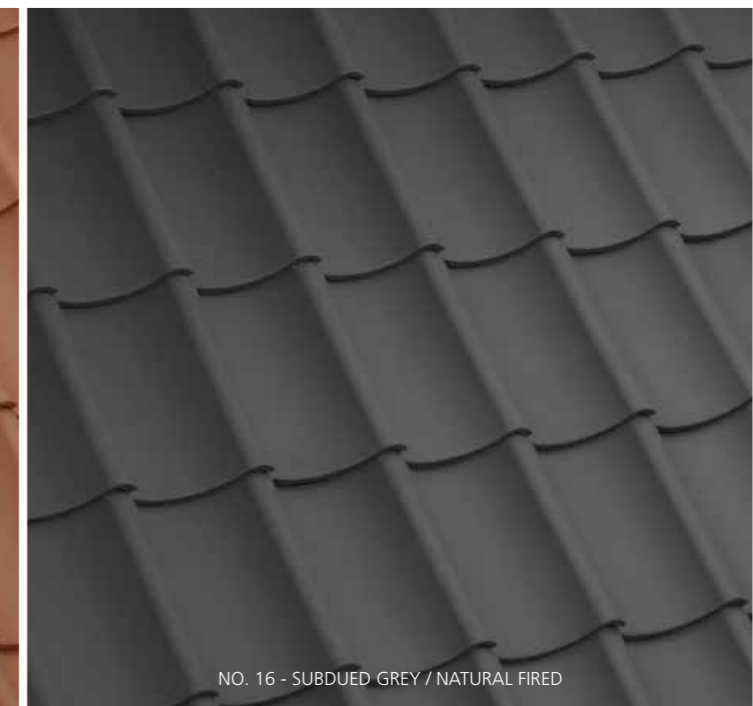
A further manufacturing process for achieving special colour shades is characterized by the entire tile body being solidly coloured. By addition of the natural mineral titanium oxide into the clay mass, yellow tones are obtained by the admixture of manganese shades in the brown colour spectrum.

The colour "grey-damped" is created by the removal of oxygen during the burning process, the natural shards become completely grey. A special combustion control system calls for a deliberately strong traverse in the colours "red-colourful" and "colourful-dampened" for a visually antique appearance. The resulting colours are unmatched in their vibrant appearance, since they have distinct colour nuances and thus provide for a particularly intense and natural colouring effect in the surface finish.

30 YEARS WARRANTY ON ALL ROOF TILE PRODUCTS
First-class natural raw materials, groundbreaking production processes and comprehensive external and internal quality control ensure the consistently high quality of our roof tiles.



NO. 11 - NATURAL RED / NATURAL FIRED



NO. 16 - SUBDUED GREY / NATURAL FIRED



NO. 35 - BROWN / NATURAL FIRED



NO. 36 - YELLOW / NATURAL FIRED



HOHLPFANNE / NO. 116 - SUBDUED COLOURED / NATURAL FIRED

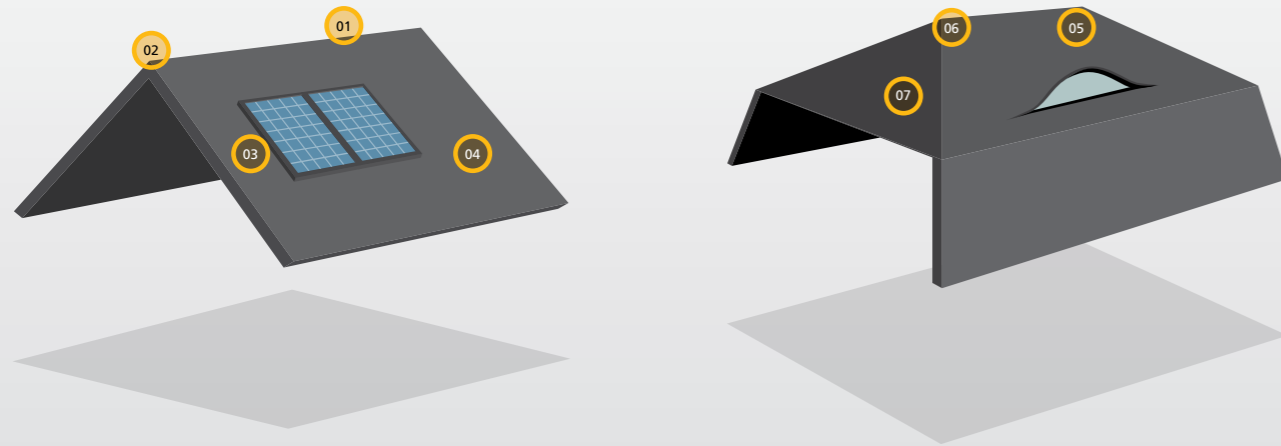


NO. 111 - RED COLOURED / NATURAL FIRED



NO. 116 - SUBDUED COLOURED / NATURAL FIRED

ACCESSORIES MADE OF CLAY



Only the all-ceramic system with its detailed solutions made of clay guarantees the final overall performance of your roof. An unbeatable unit in shape and function, which defies all environmental influences and shows no material fatigue even after decades. Available in all available colours. For functional areas such as storm and snow protection, roof inspections and solar use, you will also receive non-ceramic accessories from Laumans.

01 RIDGE TILE
Perfect finishing tile for secure coverage of opposite roof surfaces on the ridge and hip.



02 ROOF RIDGE ENDER
Elegant ridge formation as a starting or ending tile.



03 DOUBLE BRIM TILE
Left-hand finish for ascending masonry or roof windows



04 VENTILATION PIPE
For the driving rain-resistant ventilation of sanitary pipes and exhaust ducts over the roof.



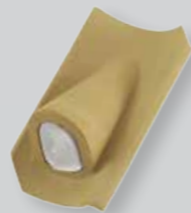
05 ANTENNA TILE
For the safe implementation of satellite dish and antenna masts.



06 HIP CAP
All-ceramic covering of the transition between the ridge and hip. Suitable for roof pitches of 18–50°.



07 VENTILATION TILE
Additional surface ventilation in the eaves and ridge area and for roof structures.



DURABLE AND NATURAL ROOF TILES FOR STABLE VALUE BUILDING



Already Julius Caesar was obviously enthusiastic about the invention of clay roof tiles, because he was instrumental in making it popular all over the world. The popularity is unbroken. A house with roof tiles convinced then as today by beauty, individuality, safety and longevity. Laumans premium roof tiles made of natural clay are of very stable value due to their durability and stand for a sustainable roof design. They are a responsible investment in a secure future.

NATURAL, TIMELESS AND FLEXIBLE

A functional roof that can withstand wind and weather is the alpha and omega of the property's lasting value. Hardly any other roofing material has therefore so long accompanied mankind as the roof tile made of natural clay. Another reason for the ever-increasing popularity of roof tiles with roofers and builders is cost-effectiveness and flexibility: minor problems can be quickly and easily repaired by replacing single roof tiles. Even larger areas as well as renovation work are easily possible at any time without any problems.

PROTECTION AND JOY FOR GENERATIONS

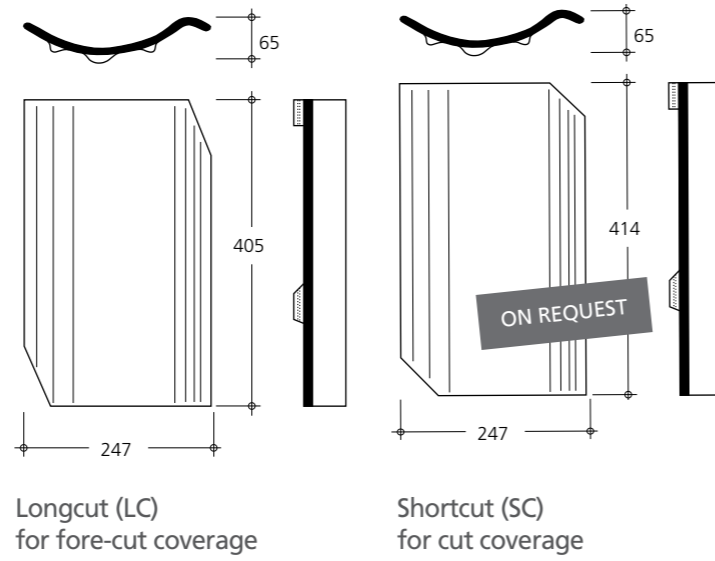
Groundbreaking production processes guarantee the highest product quality at Laumans. Through comprehensive in-house and external monitoring, the quality of the roof tiles, production processes and raw materials is continuously checked and documented. For high-quality roof tiles that give their owners joy and protection for generations. It is therefore only a logical consequence that Laumans grants a 30-year warranty on its tile products.

ADVANTAGE: LONGEVITY

- Over 120 years of know-how: since 1896 Laumans has been producing premium roof tiles
- Unique roof tile design and colour concept for timelessly modern roof tiles
- Consistent with value thanks to an intergenerational approach durability without material fatigue
- Natural building material clay for environmentally responsible roof design
- Individuality, thanks to a wide variety of roof tile models, colours and surfaces
- Extensive custom-made clay accessories for a durable roof system

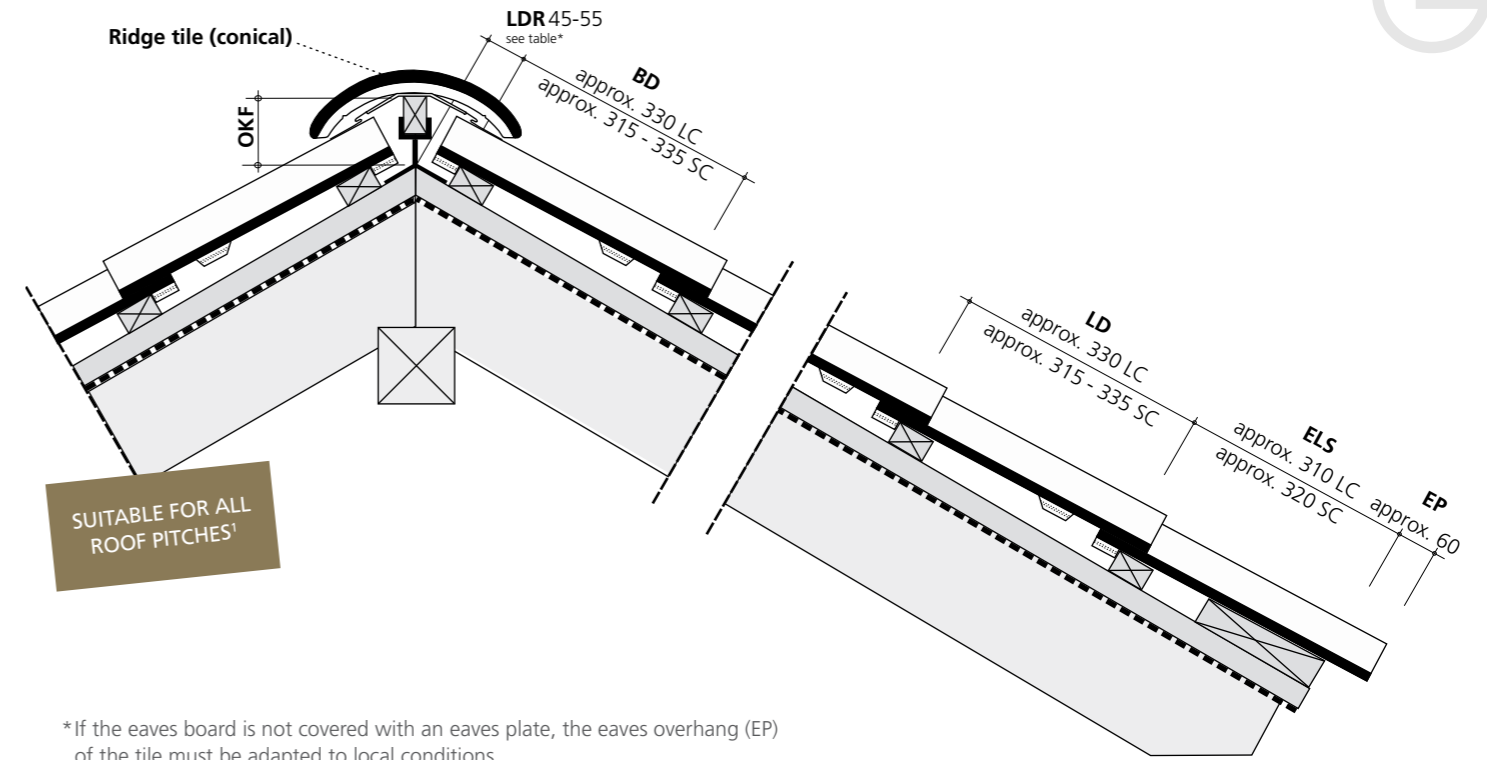
TECHNOLOGY WITH SYSTEM

Hollow pans with long-cut (LC) are used for fore-cut coverage. The successive tile rows overlap in height by the amount of the corner cut. As a result, the upper right and lower left tile lie diagonally next to each other on the four-tile corner. For cut-coverage use hollow pans with short-cut (KS, delivery on request). The successive tile rows overlap by the amount of minimum-height-coverage depending on the roof pitch. Here are four roof tiles laying on each other at the four-tile-corner. **Falling below the normal pitch is easily possible with additional measures.¹**



HOHLPFANNE

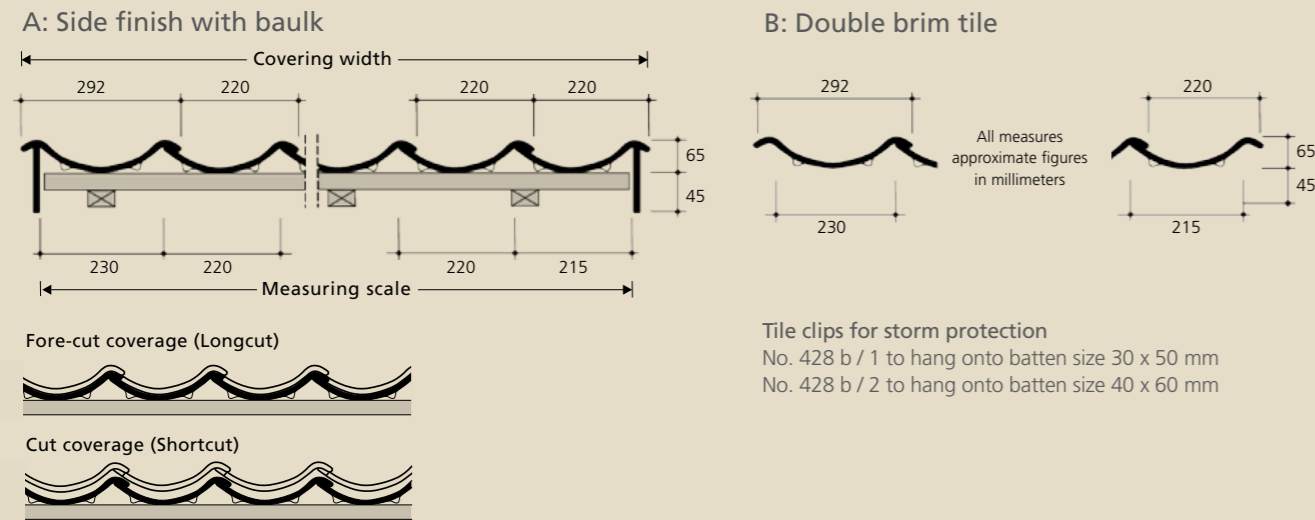
	DIMENSIONS	COVERING LENGTH	COVERING WIDTH	REQUIRED	WEIGHT	MINIMUM ROOF PITCH	STANDARD ROOF PITCH	PACKAGE CONTENTS
LC	approx. 405 x 247 mm	approx. 330 mm	approx. 220 mm	from approx. 13,8 per m ²	per pc.: approx. 2,9 kg per m ² ; approx. 40 kg	30° with under-roof	40°	252 pcs. on europallet
SC	approx. 414 x 247 mm	approx. 325 mm	approx. 220 mm	from approx. 13,6 per m ²	per pc.: approx. 2,9 kg per m ² ; 39,4 - 41,8 kg	25° with under-roof	35°	252 pcs. on europallet



*If the eaves board is not covered with an eaves plate, the eaves overhang (EP) of the tile must be adapted to local conditions.

¹If the regular roof pitch is undershot, the substructure must be executed with increased requirements.

EVALUATION/SIZING OF THE COVERING WIDTH



Average covering width in rows without or with roof tile in mm construction width = respective measuring scale

ROW		01	02	03	04	05	06	07	08	09	10	11	12	13	14	15
Roof tile (RT)		220	440	660	880	1.100	1.320	1.540	1.760	1.980	2.200	2.420	2.640	2.860	3.080	3.300
Double brim tile + RT	230 215	-	-	665	885	1.105	1.325	1.545	1.765	1.985	2.205	2.425	2.645	2.865	3.085	3.305
Side finish with baulk l/r. + RT	230 215	-	-	665	885	1.105	1.325	1.545	1.765	1.985	2.205	2.425	2.645	2.865	3.085	3.305

ROW		16	17	18	19	20	21	22	23	24	25	26	27	28	29	30
Roof tile (RT)		3.520	3.740	3.960	4.180	4.400	4.620	4.840	5.060	5.280	5.500	5.720	5.940	6.160	6.380	6.600
Double brim tile + RT		3.525	3.745	3.965	4.185	4.405	4.625	4.845	5.065	5.285	5.505	5.725	5.945	6.165	6.385	6.605
Side finish with baulk l/r. + RT		3.525	3.745	3.965	4.185	4.405	4.625	4.845	5.065	5.285	5.505	5.725	5.945	6.165	6.385	6.605

EVALUATION/SIZING OF THE RAFTER LENGTH

Eaves overhang (eP) 60 mm: number of rows (according to chart) + lath distance eaves (ELS) + lath distance ridge (LDR)

Covering length

ROWS		01	02	03	04	05	06	07	08	09	10
COVERING LENGTH in mm (LD)	LS	330	660	900	1.320	1.650	1.980	2.310	2.640	2.970	3.300
	KS ≤40°	315	630	945	1.260	1.575	1.890	2.205	2.520	2.835	3.150
	KS >40°	325	650	975	1.300	1.625	1.950	2.275	2.600	2.925	3.250
ROWS		11	12	13	14	15	16	17	18	19	20
COVERING LENGTH in mm (LD)	LS	3.630	3.960	4.290	4.620	4.950	5.280	5.610	5.940	6.270	6.600
	KS ≤40°	3.465	3.780	4.095	4.410	4.725	5.040	5.355	5.670	5.985	6.300
	KS >40°	3.575	3.900	4.225	4.550	4.875	5.200	5.525	5.850	6.175	6.500
ROWS		21	22	23	24	25	26	27	28	29	30
COVERING LENGTH in mm (LD)	LS	6.930	7.260	7.590	7.920	8.250	8.580	8.910	9.240	9.570	9.900
	KS ≤40°	6.615	6.930	7.245	7.560	7.875	8.190	8.505	8.820	9.135	9.450
	KS >40°	6.825	7.150	7.475	7.800	8.125	8.450	8.775	9.100	9.425	9.750
ROWS		31	32	33	34	35	36	37	38	39	40
COVERING LENGTH in mm (LD)	LS	10.260	10.590	10.920	11.250	11.580	11.910	12.240	12.570	12.900	13.230
	KS ≤40°	9.945	10.260	10.575	10.890	11.205	11.520	11.835	12.150	12.465	12.780
	KS >40°	10.155	10.480	10.805	11.130	11.455	11.780	12.105	12.430	12.755	13.080

All values are determined with a 30 x 50 mm lathing. If other slat cross sections are used, than these must be checked at the construction site beforehand!

The accurate lath spacing has to be determined at the building site with the delivered tiles.

Lath distance ridge (LDR)

Roof pitch	20°	30°	40°	50°
Ridge tile (conical)	55 mm	50 mm	50 mm	45 mm

Further fitting tiles available

Term	Covering width/Measuring scale
Double brim tile	292 mm
Ventilation tile, ventilation approx. 60 cm ²	220 mm
Vent pipe/antenna opening tile	220 mm

Distance from ridge vertex / Top of ridge lath (OKF):

Dachneigung	20°	30°	40°	50°
Ridge tile (conical)	145 mm	130 mm	120 mm	105 mm



Gebr. Laumans GmbH & Co. KG
Stiegstr. 88, D-41379 Brüggen
Phone: +49 21 57 14 130
Fax: +49 21 57 14 13 39
info@laumans.de, www.laumans.de

